

Floor Burnisher
PE225BU
Operator's Manual

FOR YOUR SAFETY

DO NOT store or use gasoline or other flammable vapors and liquids in the vicinity of this or any other appliance.

Record This Important Information

Date of Purchase _____

Purchased From _____

Address _____

City _____ State _____ Zip _____

Phone _____ Contact _____

Machine Model _____

Machine Serial Number _____

Important Phone Numbers

Medical Emergency _____

Police _____

Fire Department _____



WARNING! The Products sold with this Manual contain or may contain chemicals that are known to certain governments (such as the State of California, as identified in its Proposition 65 Regulatory Warning Law) to cause cancer, birth defects or other reproductive harm. In certain locations (including the State of California) purchasers of these Products that place them in service at an employment job site or a publicly accessible space are required by regulation to make certain notices, warnings or disclosures regarding the chemicals that are or may be contained in the Products at or about such work sites. It is the purchaser's responsibility to know the content of, and to comply with, any laws and regulations relating to the use of these Products in such environments. The Manufacturer disclaims any responsibility to advise purchasers of any specific requirements that may be applicable to the use of the Products in such environments.

Table of Contents

Safety Precautions.....	4	How to Operate the Machine.....	10
Technical Specifications.....	5	Installing / Replacing a Pad.....	10
Operator Responsibility.....	6	Operation.....	10
Machine Preparation.....	6	After Use.....	10
Unpacking the Machine.....	6	Scheduled Maintenance.....	11
Transporting the Machine.....	6	Machine Troubleshooting.....	11
Grounding Instructions.....	7	Parts Manual & Warranty.....	12
Extension Cords.....	7	Electrical Schematic.....	13
Machine Components.....	8	Main Assembly.....	14
Operator Handle Grips.....	9	Handle Assembly.....	18
Switch Levers.....	9		
Switch Lever Safety Lock.....	9		
Handle Release Lever.....	9		
Cord Hook.....	9		
Power Cord.....	9		

*****This product is intended for commercial use only*****

In this Operation Manual you will find three statements that you must read and observe to ensure safe operation of this machine.

DANGER! indicates that the possibility of severe bodily injury or death can occur if DANGER! statements are ignored. Read and observe all DANGER! statements included in the Operation Manual and attached to the machine.

WARNING! indicates that the possibility of bodily injury to the operator and other people can occur if WARNING! statements are ignored. Read and observe all WARNING! statements included in the Operation Manual and attached to the machine.

CAUTION! indicates that the possibility of damage to the machine or other property can occur if CAUTION! statements are ignored. Read and observe all CAUTION! statements included in the Operation Manual and attached to the machine.

Safety Precautions

Anyone operating the machine should read the following carefully and be informed of potentially dangerous operating conditions. Operators should be familiar with the location and use of all safety devices on the machine. **DO NOT** use the machine if it is not in proper operating condition, and report any damage or operation faults immediately.

DANGER! Failure to read the Owner's Manual prior to operating or attempting any service or maintenance procedure to your machine could result in injury to you or to other personnel; damage to the machine or to other property could occur as well. You must have training in the operation of this machine before using it. If you or your operator(s) cannot read English, have this manual explained fully before attempting to operate this machine.

DANGER! This machine has parts, including the pad assemblies, that can cause severe injury if these parts are contacted while they are moving. **DO NOT** allow any part of the body or clothing to come in contact with these parts while they are moving. **DO NOT** try to change attachments while the machine is running. **DO NOT** allow other people to come near the machine while it is in operation. **DO NOT** allow machine to run unattended. **DO NOT** leave the machine in a place where unauthorized or untrained personnel could use the machine. **DO NOT** run the machine with the pad off center, damaged, or missing. **DO NOT** operate the machine if the machine has loose parts.

DANGER! Injury can occur to the eyes and body while using the machine. Safety goggles, safety shoes, and safety clothing are recommended while operating the machine.

DANGER! Operating a machine that is not completely or fully assembled could result in injury or property damage. **DO NOT** operate this machine until it is completely assembled. Inspect the machine carefully before operation.

DANGER! Electrocutation could occur if maintenance and repairs are performed on a unit that is not disconnected from the power source. Disconnect the power supply before attempting any maintenance or service. Always remove the electrical plug from the electrical outlet before changing the brush, pad or other attachment and before leaving the machine.

DANGER! Using a machine with a damaged power cord could result in an electrocution. **DO NOT** use the machine if the power cord is damaged. **DO NOT** use the electrical cord to move the machine.

WARNING! Machine vibration may cause tingling or numbness in the fingers and hands. Gloves are recommended to reduce machine vibration. If tingling or numbness persists, shut off the machine. If vibration

is caused by loose parts, adjust or tighten these parts before using the machine again.

WARNING! Modifications or alterations to this machine can lead to personal injury or damage to the machine. **DO NOT** make unauthorized modifications or alterations to this machine. Amano Pioneer Eclipse assumes no liabilities for injury or damage resulting from an unauthorized modification or alteration to the machine. Any unauthorized modification or alteration to this machine voids all warranties.

WARNING! Electrical components of this machine can "short-out" if exposed to water or moisture. Keep the electrical components of the machine dry. Wipe the machine down after each use. For storage, keep the machine in a dry building.

WARNING! Always use a three-wire electrical system connected to the electrical ground. For maximum protection against electric shock, use a circuit that is protected by a ground fault interrupter. Consult your electrical contractor.

WARNING! To prevent damage to the power cord, **DO NOT** let the pad, pad driver or wheels touch the power cord when the machine is running. Always lift the cord over the machine. **DO NOT** pull the power cord to move the machine.

WARNING! Operating a machine without observing all labels and instructional information could result in injury or damage. Read all machine labels before attempting to operate. Make sure all of the labels and instructional information are attached or fastened to the machine. Get replacement labels and decals from your authorized distributor.

WARNING! Machine vibration may cause tingling or numbness in the fingers and hands. Gloves are recommended to reduce machine vibration. If tingling or numbness persists, shut off the machine. If vibration is caused by loose parts, adjust or tighten these parts before using the machine again.

WARNING! Use of this machine as a step or furniture could result in injury or damage. **DO NOT** use this machine as a step or furniture. **DO NOT** ride on this machine.

WARNING! To avoid injury keep hands, feet and loose clothing away from all moving parts of this machine.

WARNING! Any alterations or modifications of this machine could result in damage to the machine or injury to the operator or other bystanders. Alterations or modifications not authorized by the manufacturer voids any and all warranties and liabilities.

CAUTION! The machine is heavy. Get assistance before attempting to transport or move it.

Technical Specifications:

<u>Description</u>	<u>225BU20</u>	<u>225BU20E</u>	<u>225BU20EB</u>
Voltage (V)	120	230	127
Frequency (Hz)	60	50	60
Current (A)	15	8	15
Pad / Brush Speed	1500 rpm	1500 rpm	1500 rpm
Power	1.5 hp (1.1 kW)	1.5 hp (1.1kW)	1.5 hp (1.1kW)
Pad Size	20" (51 cm)	20" (51 cm)	20" (51 cm)
Cord	14/3 Yellow	H05VVF3G 1.5mm ²	H05VV 2.5mm ²
Cord Length	50' (15 m)	40' (12 m)	40' (12 m)
Height w/ Handle	49" (125 cm)	49" (125 cm)	49" (125 cm)
Width	20" (51 cm)	20" (51 cm)	20" (51 cm)
Length	32" (81.5 cm)	32" (81.5 cm)	32" (81.5 cm)
Weight w/ cord	76 lbs (35 kg)	76 lbs (35 kg)	76 lbs (35 kg)
Handle Tube	Tubular Steel	Tubular Steel	Tubular Steel
Main Frame	Welded Steel Sheet Metal	Welded Steel Sheet Metal	Welded Steel Sheet Metal

<u>Description</u>	<u>225BU202</u>
Voltage (V)	120
Frequency (Hz)	60
Current (A)	15
Pad / Brush Speed	2000 rpm
Power	1.5 hp (1.1 kW)
Pad Size	20" (51 cm)
Cord	14/3 Yellow
Cord Length	50' (15 m)
Height w/ Handle	49" (125 cm)
Width	20" (51 cm)
Length	32" (81.5 cm)
Weight w/ cord	76 lbs (35 kg)
Handle Tube	Tubular Steel
Main Frame	Welded Steel Sheet Metal

This Machine is Manufactured for Commercial use only.

This machine is designed and manufactured for indoor use on hard floor surfaces. Amano Pioneer Eclipse Corporation (APEC) does not recommend use of this machine in any environment other than an indoor environment. This floor machine is designed and manufactured for commercial floor use only. This machine is designed to clean most modern types of floors including composition tile, stone, marble, terrazzo, and resilient floor covering, and some coated wood floors.

Operator Responsibility

The operator is responsible for performing the recommended daily maintenance and checkups of the machine to keep it in good working condition. The operator must inform the service mechanic or supervisor when recommended maintenance procedures are required as prescribed in the "MAINTENANCE" section of this manual.

FOR SAFETY: DO NOT operate machine before reading and understanding the operation manual.

Keep your machine regularly maintained by following the maintenance information in this manual. Order parts and supplies only from an Authorized Amano Pioneer Eclipse Distributor. Use the parts illustration section of your manual when ordering parts.

During and after operation, perform the recommended daily and hourly procedures outlined in the Maintenance Chart.

Machine Preparation

Unpacking the Machine

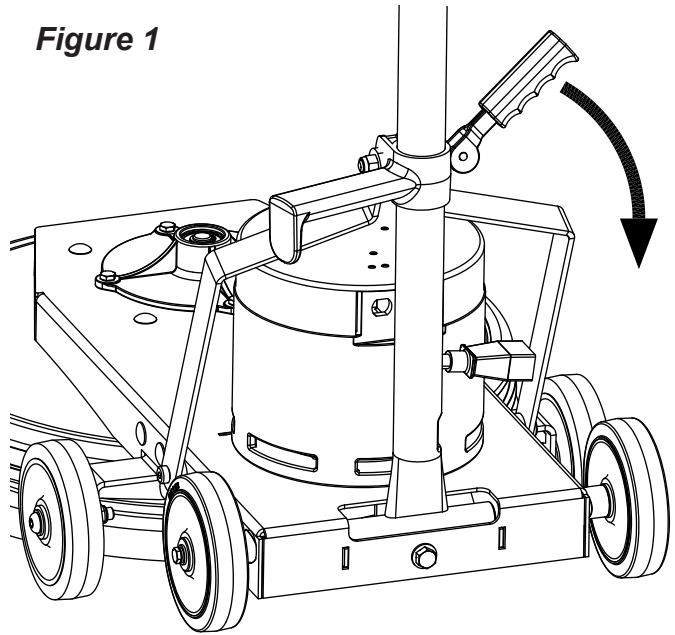
When the machine is delivered, carefully inspect the shipping carton and the machine for damage. Unpack the machine with caution. If damage is evident, save the shipping carton so that it can be inspected. Contact the Amano Pioneer Eclipse Customer Service Department.

Transporting the Machine

To transport the machine, follow this procedure:

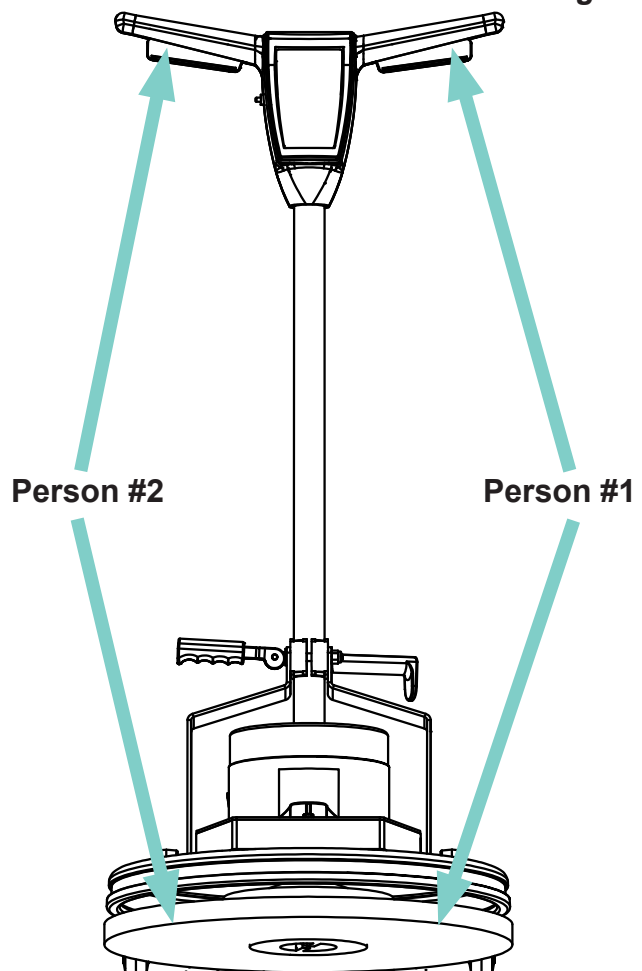
1. Raise and lock the handle in the upright position. To lock the handle, push down on the handle release lever (See Figure 1).
2. Unplug the machine from wall outlet and wrap cord around the handle and cork hook.
3. To pick up the machine, using two people, lift and place in cargo area (See Figure 2).

Figure 1



WARNING! The machine is heavy, 76 lbs (35 kg). To avoid injury or damage to the machine use a firm grip and proper lifting technique. Always use two people when lifting this machine.

Figure 2



Grounding Instructions

120 Volt Machines

This product must be grounded while in use to protect the operator from electrical shock. The machine is provided with a three-conductor cord and a three contact grounding attachment plug to fit the proper grounding type receptacle. The green (or green and yellow) conductor in the cord is the grounding wire. NEVER connect this wire to other than the grounding pin of the attachment plug. If it should malfunction or breakdown, grounding provides a path of least resistance for electric current to reduce the risk of electrical shock. This product is equipped with a cord having an equipment-grounding conductor and grounding plug. The plug must be inserted into an appropriate outlet that is properly installed and grounded in accordance with all local codes and ordinances.

WARNING: Improper connection of the equipment-grounding conductor can result in a risk of electric shock. Check with a qualified electrician or service person if you are in doubt as to whether the outlet is properly grounded. **DO NOT** modify the plug provided with the product - if it will not fit the outlet, have a proper outlet installed by a qualified electrician.

This product is for use on a nominal 120 volt circuit and has a grounding attachment plug that looks like the plug illustrated as (A) in the sketch. Make sure that the machine is connected to an outlet having the same configuration as the plug. No adapter should be used with this product.

WARNING: To prevent possible electric shock, protect the machine from rain. Keep the machine in a dry building.

WARNING: To prevent possible electric shock, always use a 3-wire electrical system connected to the electrical ground.

WARNING: DO NOT cut, remove or break the ground pin. If the outlet does not fit the plug, consult your electrical contractor.

WARNING: Have worn, cut or damaged cords replaced by an authorized service person.

Extension Cords

Use only an approved extension cord with three conductors, a plug with three terminals, and a connector body with three holes. The machine has a power cord with wire size 12 AWG (AWG means American Wire Gauge).

WARNING: If you use an extension cord, use an extension cord with minimum wire size 12 AWG. **DO NOT** use an extension cord longer than 50 feet. **DO NOT** join two extension cords.

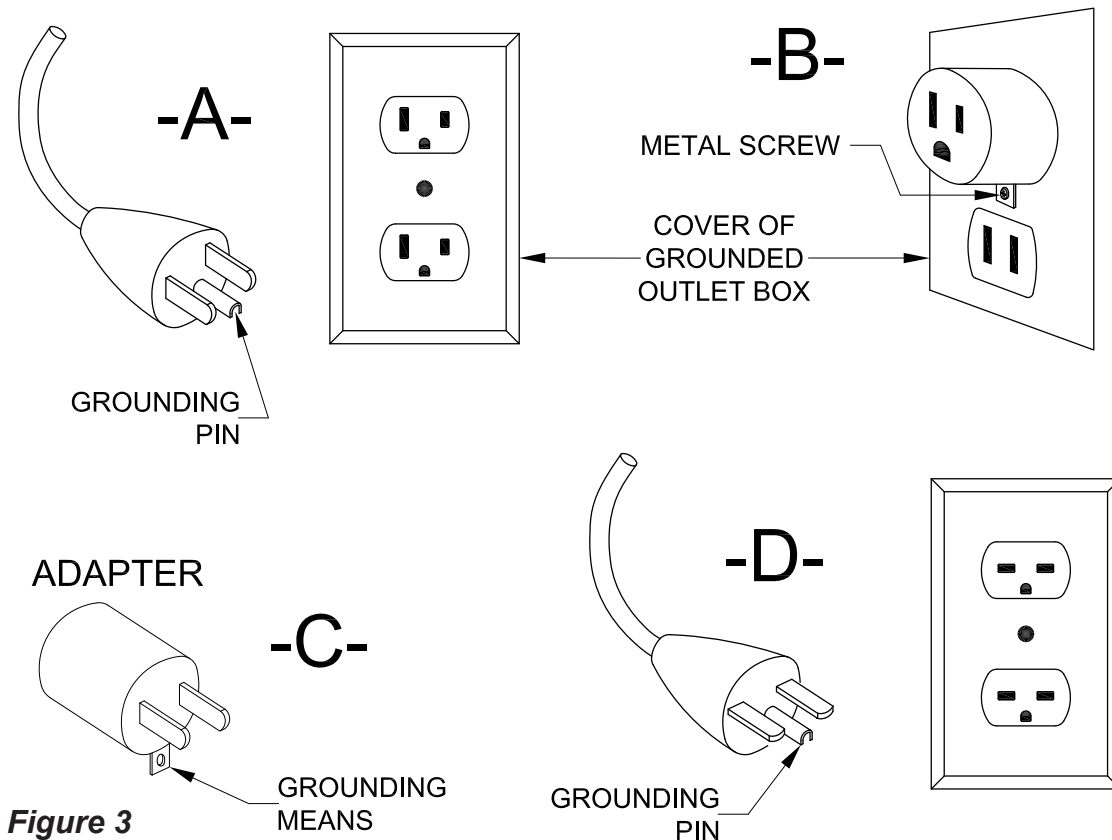
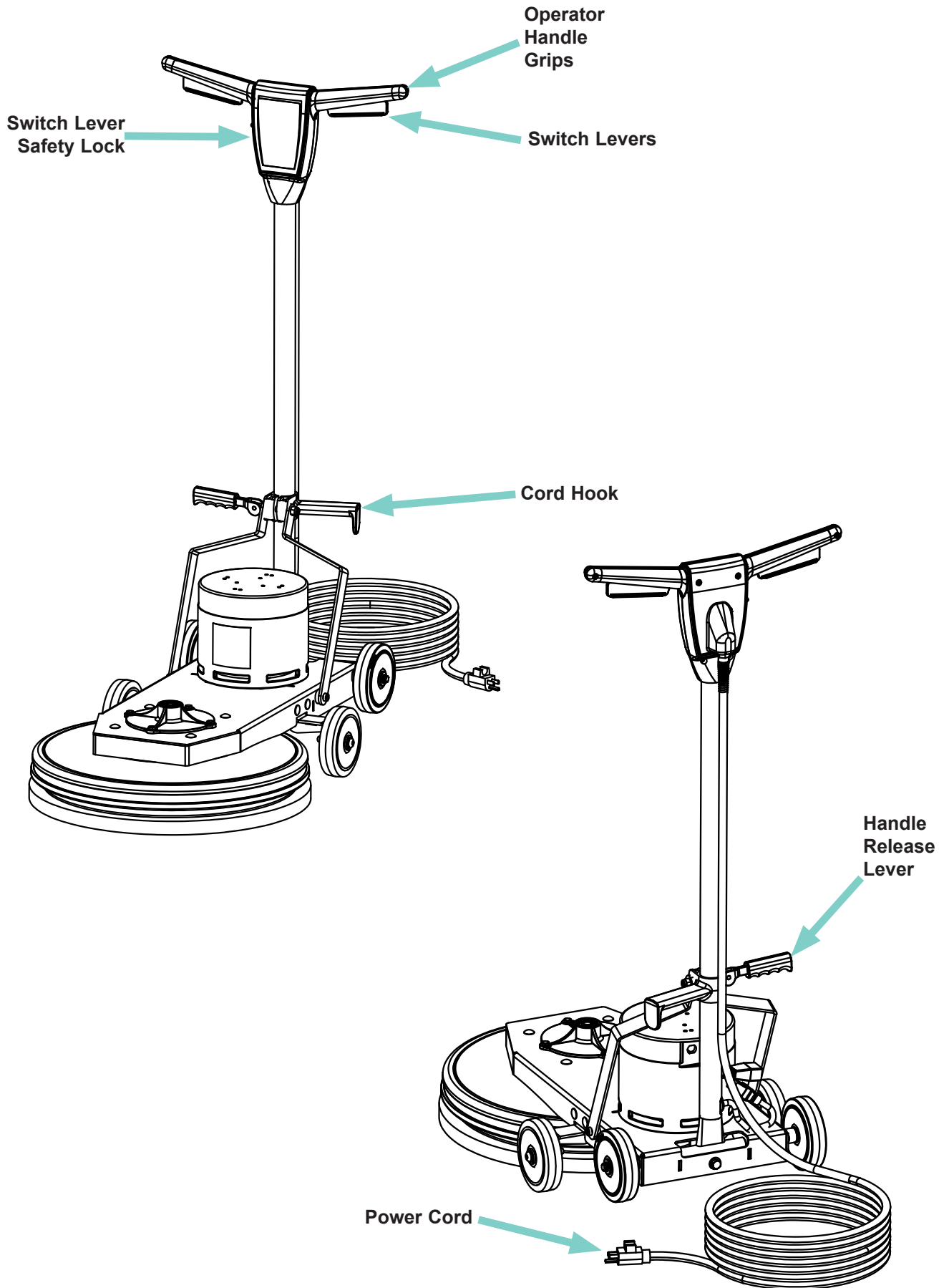


Figure 3

Machine Components



Operator Handle Grips

Use the operator handle grips to operate and move the machine. The switch levers on the underside of the handle grips, turn the motor on and off. Locate the handle grips in a comfortable operating position and lock the handle release lever in place. While operating the machine, slightly raising or lowering the operators handle will help the operator control the machine.

Switch Levers

The switch levers activate the switch module to turn the motor on and off. The switch module will not activate unless the switch lever safety lock is pressed first. To operate the machine, only one switch lever has to be engaged. This allows the operator to alternate hands while using the machine. To stop the motor from turning, release the switch levers.

Switch Lever Safety Lock

The switch lever safety lock is to prevent someone from accidentally turning the machine on. To turn the machine on, always make sure the handle is lowered in the operators position and the handle release lever is locked. Push and hold the switch lever safety lock with one hand, while engaging one of the switch levers. Once the machine has started, the switch lever safety lock can be released.

Handle Release Lever

This handle is used to release or lock the operators handle. Pulling up on the lever will allow the handle to move freely. Pushing down on the lever, horizontally, will lock the handle in place. The handle should always be locked while in use, as well as during transport or storage.

Cord Hook

To prevent the cord from being damaged while not in use, wrap the cord around the cord hook and the top of the operators handle.

Power Cord

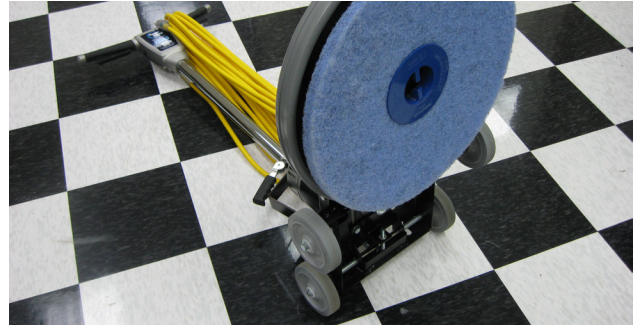
Use only the supplied power cord with this machine. The power cord is sized to be used with this machine. To attach the power cord to the machine, insert plug on the back of handle into the female receptacle of the power cord. Properly align the plug pins with the holes of the receptacle, push together and twist to lock the cords in place.

How to Operate the Machine

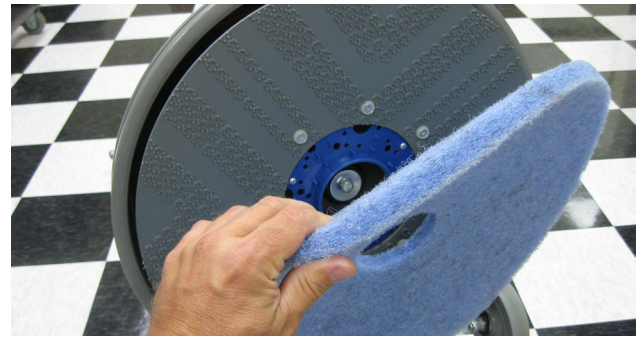
Installing the Pad

CAUTION! Using the wrong pad on this machine can overload the motor.

1. Place the handle in the upright (vertical) positions and lock the handle release lever (See Figure 1).
2. Tilt the machine back on the transport wheels and let the handle rest on the floor (See Figure 4).



3. Remove the pad retainer in the center of the pad holder by holding the pad secure with one hand and turn the pad retainer counter-clockwise to remove.
4. Remove the pad from the pad holder.



5. Check the pad holder for any damage or warpage.
6. Align the center hole of the new pad with the pad guide on the pad holder.
7. Holding the pad secure with one hand, insert the pad retainer through the hole on the pad and rotate clockwise until tight.



8. Using the handle, carefully lift the unit to its standing position.

Operation

1. Unwrap the power cord and plug it into the properly grounded outlet.
2. Pull up on the handle release lever (5). Move the operator handle (4) downward until your arms are almost straight. Push down on the handle release lever (5) to lock it in place.
3. Lift up on the operator handle (4) until the driver is flat against the floor.

WARNING! Be prepared to control the machine as soon as the motor starts.

CAUTION! Immediately start moving the machine back and forth. Keep the machine moving while the motor is running to avoid damage to the floor.

4. Hold one of the operator handle grips (1) firmly, push the switch lever safety lock (2) and the compress the switch lever (3) to start the motor.

Note: When the switch levers (3) are released, the machine shuts off immediately.

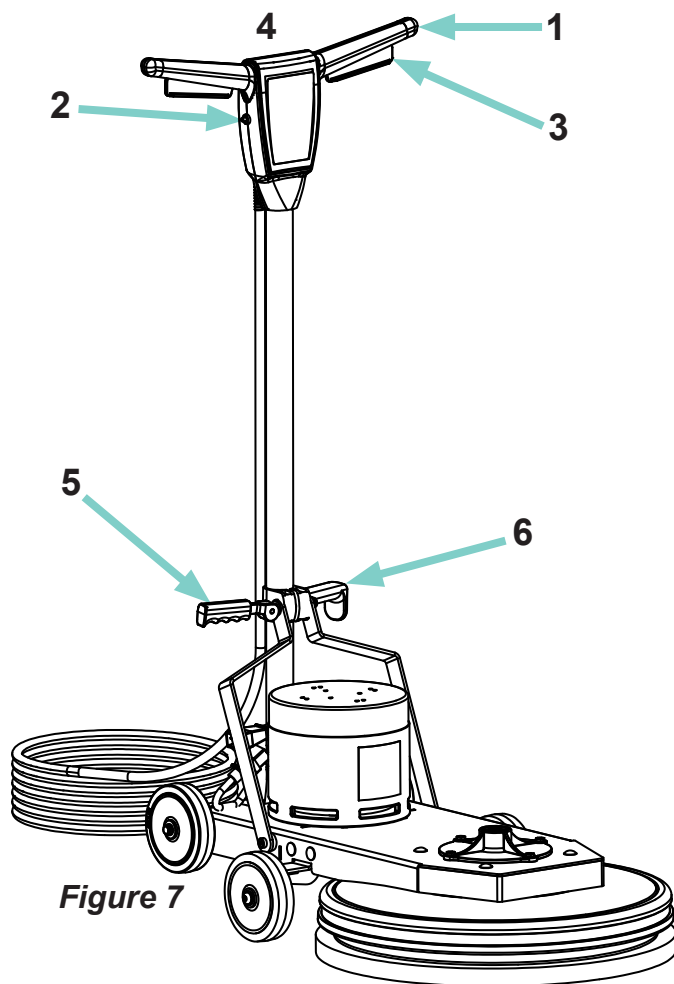


Figure 7

After Use

1. Place the operator handle (4) in the upright (vertical) position and unplug the power cord. Wrap the power cord around the operator hand grips (1) and the cord hook (6).
2. Tilt the machine back and remove the pad driver from the machine. **NEVER** store the machine with the pad driver on the machine.
3. Wipe the entire machine with a clean, damp cloth.
4. Inspect the entire machine and all accessories for damage. Perform any required maintenance or repairs before storage.
5. Store the machine in a clean, dry place with the operator handle (4) locked in the upright position.

Scheduled Maintenance

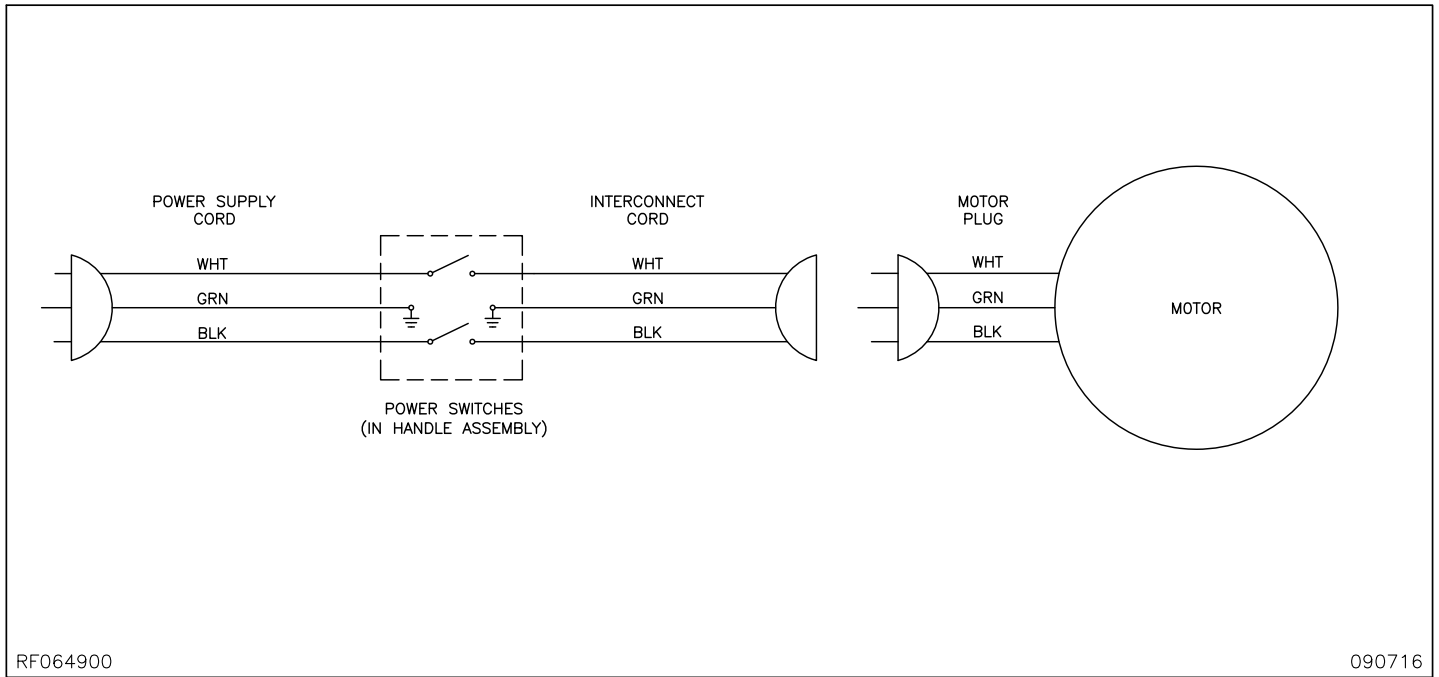
Operation	Interval		
	Daily	Monthly	Every 6 Months
Check for loose or lost fasteners	●		
Inspect cords and connections	●		
Inspect pad holder for damage	●		
Clean the machine and accessories	●		
Check machine wiring for fray or cut		●	
Check the carbon brushes of motor			●

These items must be performed with the proper tools and training. Contact an Amano Pioneer Eclipse Factory Certified Technician unless you have the proper equipment and technical proficiency.

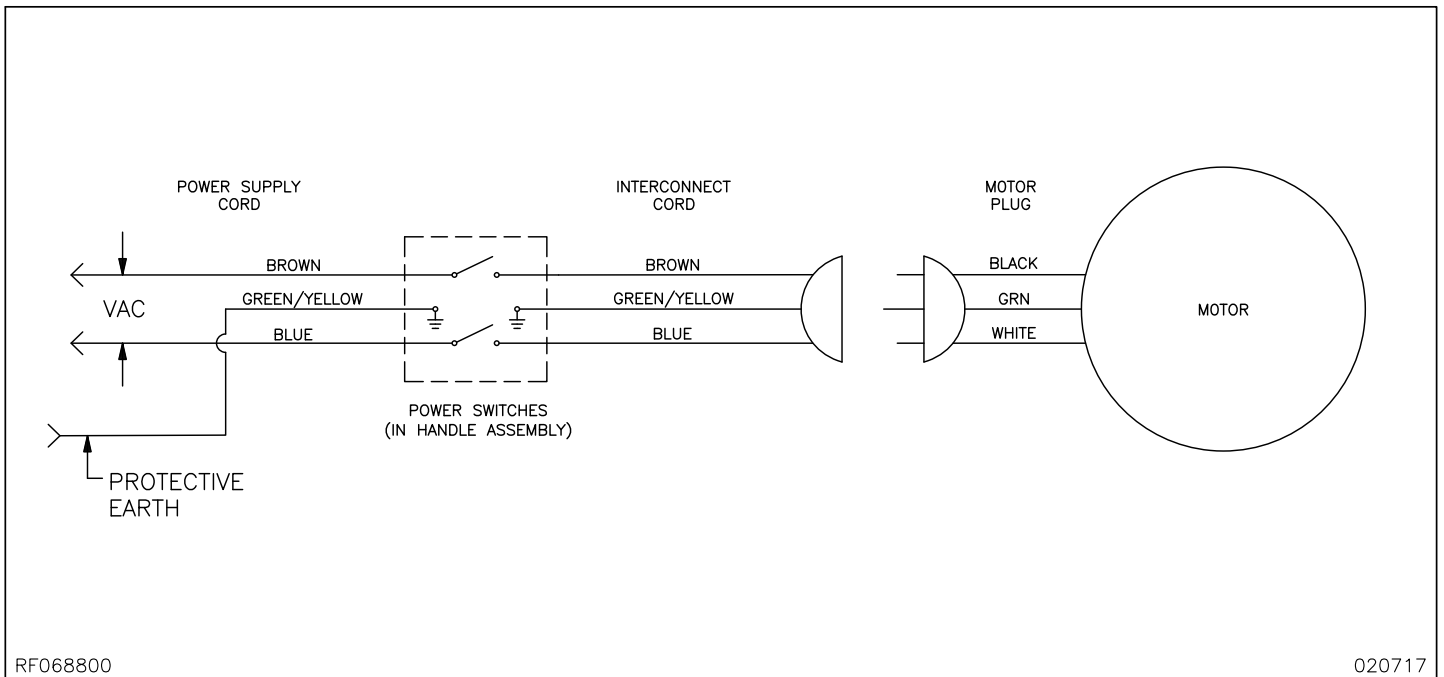
Machine Troubleshooting

Problem	Possible Cause	Solution
Machine will not start	No power	Check the main power supply (building circuit breaker). Check the cord connection at the wall outlet
	Switch lever safety lock not depressed	Hold in the switch lever safety lock and then engage switch levers.
	Bad connection	Check the motor and cord interlock connections.
	Defective motor start switch	Contact an authorized APEC Distributor.
Motor runs sluggish	Low voltage	Using extension cord with wire smaller than 12/3. Replace with a 12/3 extension cord. Using more than one extension cord. Only use one 50ft 12/3 extension cord.
	Bad motor run capacitor	Contact an authorized APEC Distributor.
	Handle is not locked	Push down on handle release lever to lock handle.
	Defective handle switch	Contact an authorized APEC Distributor.
Fuse / circuit breaker repeatedly trips	Low voltage	Eliminate extension cord & locate a power source closer to work site. Have voltage checked by a qualified electrician.
	Not on a dedicated circuit	Make sure there is no other items using power on the circuit.
	Motor is overloaded	Try a different pad that is less aggressive. DO NOT add weight to machine. Remove any excess weight added to machine.
	Bad connection	Contact an authorized APEC Distributor.
	Handle is not locked	Push down on handle release lever to lock handle.
	Defective motor	Contact an authorized APEC Distributor.
Machine vibrates during operation	Defective pad	One side is more dense than the other. Replace pad.
	Warped or damaged padholder	Replace.
	Pad not installed properly / not centered	Remove and install properly.
Poor Performance	There are lines on the floor	The floor was not cleaned before buffing. Scrub and clean the floor. Clean the pad or replace with a new clean pad.
	There floor does not shine	Use the appropriate pad for the job.

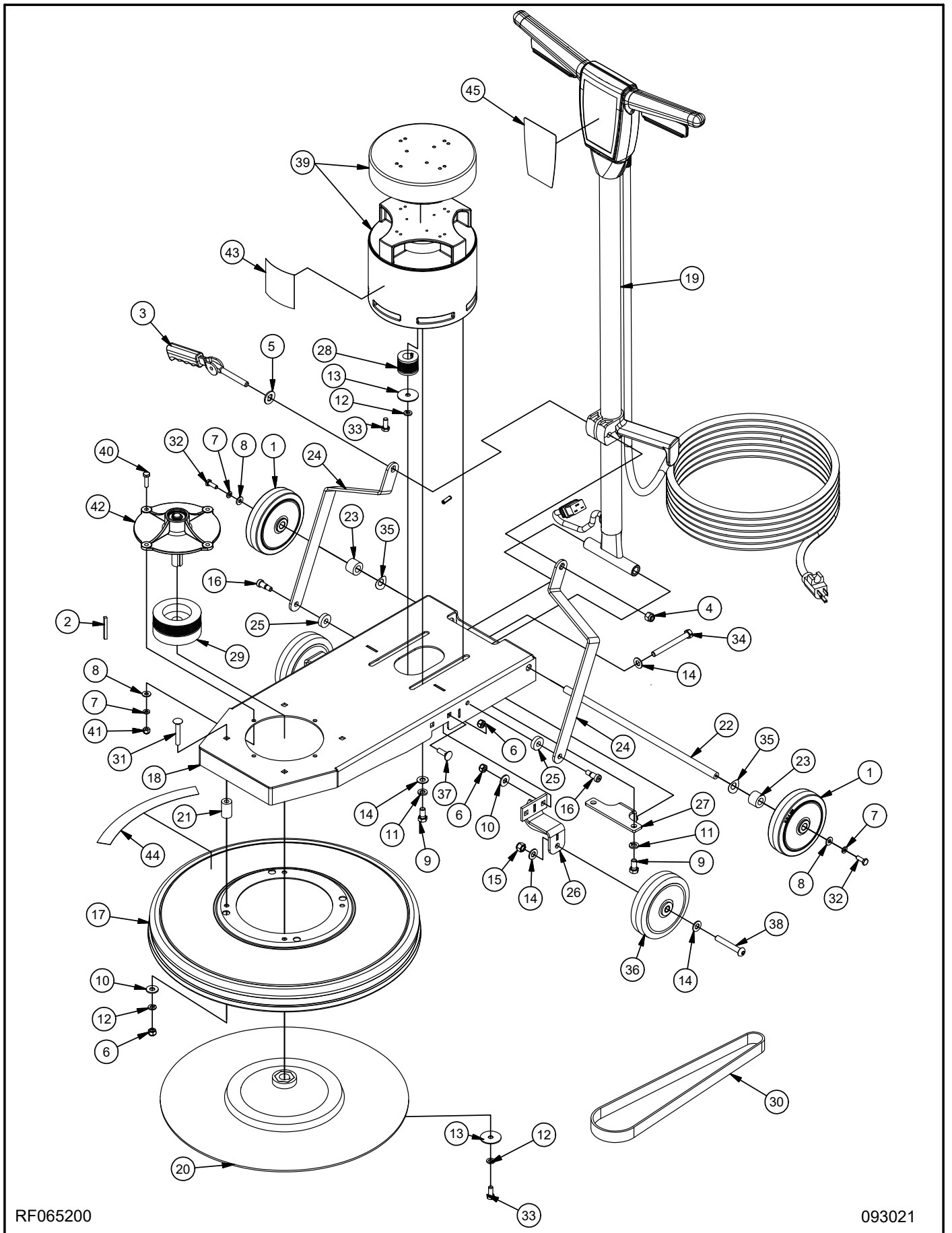
Electrical Schematic - 120V



Electrical Schematic - 127V & 230V



Main Assembly



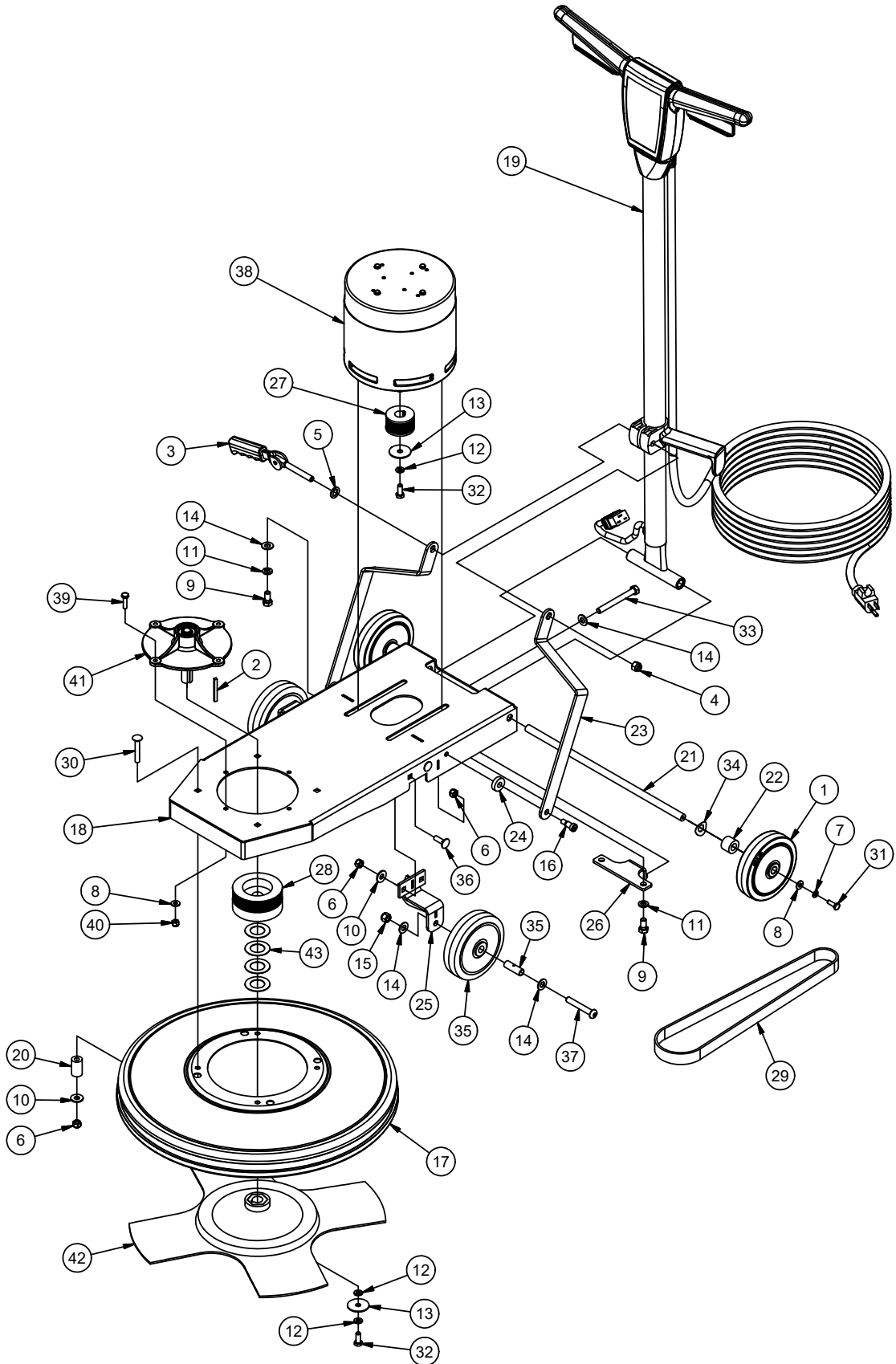
RF065200

093021

Main Assembly (continued)

<u>Item</u>	<u>Ref. No.</u>	<u>Description</u>	<u>Qty</u>	<u>Item</u>	<u>Ref. No.</u>	<u>Description</u>	<u>Qty</u>
1	39857A	WHEEL 5 POLISHER	2	25	MP503700	SPACER, PIVOT, NYLON, 1" OD X .38" ID X .315 L	2
2	MP236800	KEY, 3/16 X 1 7/8	1	26	MP503000	BRACKET, WHEEL, WELDMENT	2
3	56109699	CAM ASSY WITH GRIP	1	27	MP504500	BRACKET, ADJUSTMENT, BELT, ASM	1
4	920342	NUT ESNA 3/8-16	1	28	MP503400	PULLEY, 1.5" DIA., 10 GROOVE, J SECTION	1
5	AS087800	WASHER WEAR CAM	1	29	MP503300	PULLEY, 3.5" DIA., 10 GROOVE, J SECTION	1
6	NB3265	NUT, LOCK, 5/16"-18, NC	10	30	MP504300	BELT, 36", J SECTION, 10 GROOVE	1
7	NB6110	WASHER, LOCK, 1/4"	6	31	NB073200	BOLT, CARRIAGE, 5/16-18 X 2 , ZINC	4
8	NB3350	WASHER, FLAT, 1/4"	6	32	NB019100	BOLT, HEX, 1/4-20 X 3/4, GD 5	2
9	NB6851	SCREW, CAP, HH, 3/8-16 X 3/4	4	33	NB9745	SCREW, CAP, 5/16"-18 X 3/4"	2
10	NB9267	WASHER, FLAT, 5/16"	8	34	NB073300	BOLT, HEX, TAP, 3/8-16 X 3 1/2	1
11	MX1075	WASHER, LOCK, 3/8"	4	35	80295A	WASHER BOWED .516ID X 1.06OD	2
12	NB6111	WASHER, LOCK, 5/16"	6	36	MP060800	WHEEL, 5", PERFORMA, FLAT TREAD, DELRIN	2
13	NB9505	WASHER, FLAT, 5/16" X 1 1/2"	2	37	NB5000	BOLT, CARRIAGE, 5/16 X 1	4
14	MX1080	WASHER, FLAT, 3/8	7	38	NB073100	SCREW, BH, 3/8-16 X 2 1/2, SS	2
15	NB3267	NUT, LOCK, 3/8", NC	2	39	MP504100	MOTOR, 1.5HP, 115V, 3200RPM	1
16	80026A	BOLT SHOULDER 3/8 X 1/2	2	39	MP506000	MOTOR, 1.5 HP, 230V/50HZ, 3200RPM	1
17	MP478000	SHROUD, 20", W/BUMPER, ASM.	1	39A	MP504700	COVER, BRUSH, MOTOR, REPLACEMENT	1
18	MP502300	FRAME, 225BU, WELDMENT	1	40	NB6530	SCREW, CAP, HH, 1/4-20 X 1	4
19	MP474000	HANDLE, 225FP, ASM.	1	41	NB3275	NUT, LOCK, 1/4"	4
19	MP511000	HANDLE, EXPORT, ASM, (230V)	1	42	MP504600	HOUSING, BEARING, SPINDLE, FRONT, ASM.	1
19	MP507400	HANDLE, 225BU/FP, BRAZIL, ASM, (127V)	1	43	MP504400	DECAL, HANDLE, 225BU	1
20	MP504000	PADHOLDER, 20", MALISH, W/ KEYED RISER	1	43	MP506200	DECAL, HANDLE, 225BU, EXPORT	1
21	MP503600	STANDOFF, NYLON, .75 DIA. X 1.25 L	4	44	MP498300	DECAL, APEC, 3"	1
22	MP503900	AXLE, REAR, .50 DIA. X 15.43 L	1	45	MP007300	DECAL, KEEP HANDS/FEET (TRILING) WHITE	1
23	MP503800	SPACER, WHEEL, 1" OD X .5" ID X .75 L	2				
24	MP502800	BRACKET, SUPPORT, HANDLE	2				

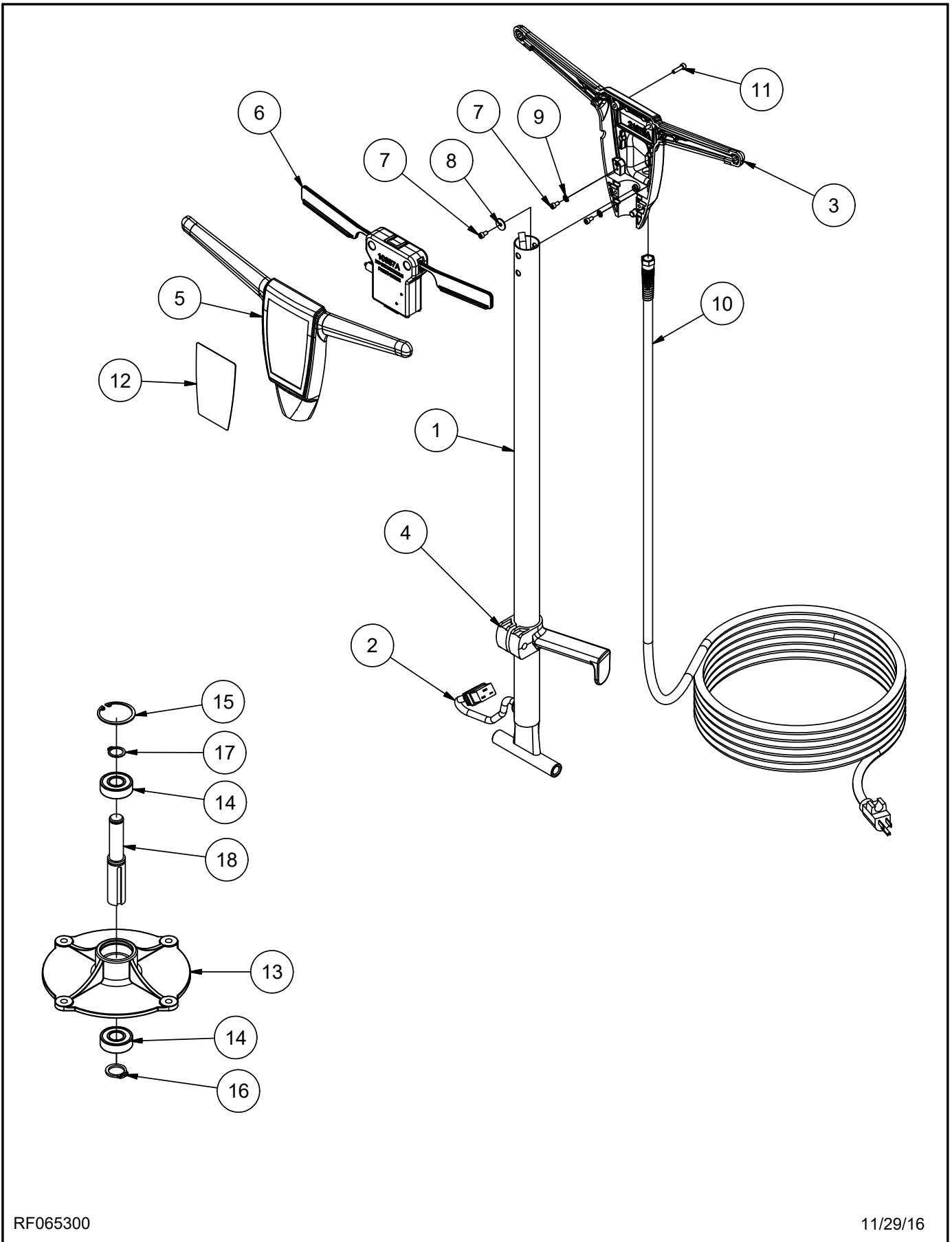
Main Assembly - 2000 RPM MODEL (225BU202)



Main Assembly - 2000 RPM MODEL (225BU202)

Parts List			
ITEM	QTY	PART NUMBER	DESCRIPTION
1	2	39857A	WHEEL 5 POLISHER
2	1	MP236800	KEY, 3/16 X 1 7/8
3	1	56109699	CAM ASSY WITH GRIP
4	1	920342	NUT LK 3/8 -16 REG
5	1	AS087800	WASHER WEAR CAM
6	10	NB3265	NUT, LOCK, 5/16"-18, NC
7	2	NB6110	WASHER, LOCK, 1/4"
8	6	NB3350	WASHER, FLAT, 1/4"
9	4	NB6851	SCREW, CAP, HH, 3/8-16 X 3/4
10	8	NB9267	WASHER, FLAT, 5/16"
11	4	MX1075	WASHER, LOCK, 3/8"
12	3	NB6111	WASHER, LOCK, 5/16"
13	2	NB9505	WASHER, FLAT, 5/16" X 1 1/2"
14	7	MX1080	WASHER, FLAT, 3/8
15	2	NB3267	NUT, LOCK, 3/8", NC
16	2	80026A	BOLT SHOULDER 3/8 X 1/2
17	1	MP478000	SHROUD, 20", W/BUMPER, ASM.
18	1	MP502300	FRAME, 225BU, WELDMENT
19	1	MP474000	HANDLE, 225FP, ASM.
20	4	MP503600	STANDOFF, NYLON, .75 DIA. X 1.25 L
21	1	MP503900	AXLE, REAR, .50 DIA. X 15.43 L
22	2	MP503800	SPACER, WHEEL, 1" OD X .5" ID X .75 L
23	2	MP502800	BRACKET, SUPPORT, HANDLE
24	2	MP503700	SPACER, PIVOT, NYLON, 1" OD X .38" ID X .315 L
25	2	MP503000	BRACKET, WHEEL, WELDMENT
26	1	MP504500	BRACKET, ADJUSTMENT, BELT, ASM
27	1	MP505100	PULLEY, 2" DIA., 10 GROOVE, J SECTION
28	1	MP503300	PULLEY, 3.5" DIA., 10 GROOVE, J SECTION
29	1	MP505400	BELT, 37", J SECTION, 10 GROOVE
30	4	NB073200	BOLT, CARRIAGE, 5/16-18 X 2, ZINC
31	2	NB019100	BOLT, HEX, 1/4-20 X 3/4, GD 5
32	2	NB9745	SCREW, CAP, 5/16"-18 X 3/4"
33	1	NB073300	BOLT, HEX, 3/8-16 X 3 1/2, TAP, GD5, ZINC
34	2	80295A	WASHER BOWED .516ID X 1.06OD
35	2	MP060800	WHEEL, 5", PERFORMA, W/ BUSHING
36	4	NB5000	BOLT, CARRIAGE, 5/16 X 1
37	2	NB073100	SCREW, BH, 3/8-16 X 2 1/2, SS
38	1	MP504100	MOTOR, 1.5HP, 115V, 3200RPM
39	4	85700A	SCREW, CAP, HH, 1/4-20 X 1
40	4	NB3275	NUT, LOCK, 1/4"
41	1	MP504600	HOUSING, BEARING, SPINDLE, FRONT, ASM.
42	1	MP506700	PADHOLDER, 18", X-PAD, W/KEYED RISER
43	4	NB069900	WASHER, SHIM, 1.75 OD X 1.015 ID

Handle Assembly

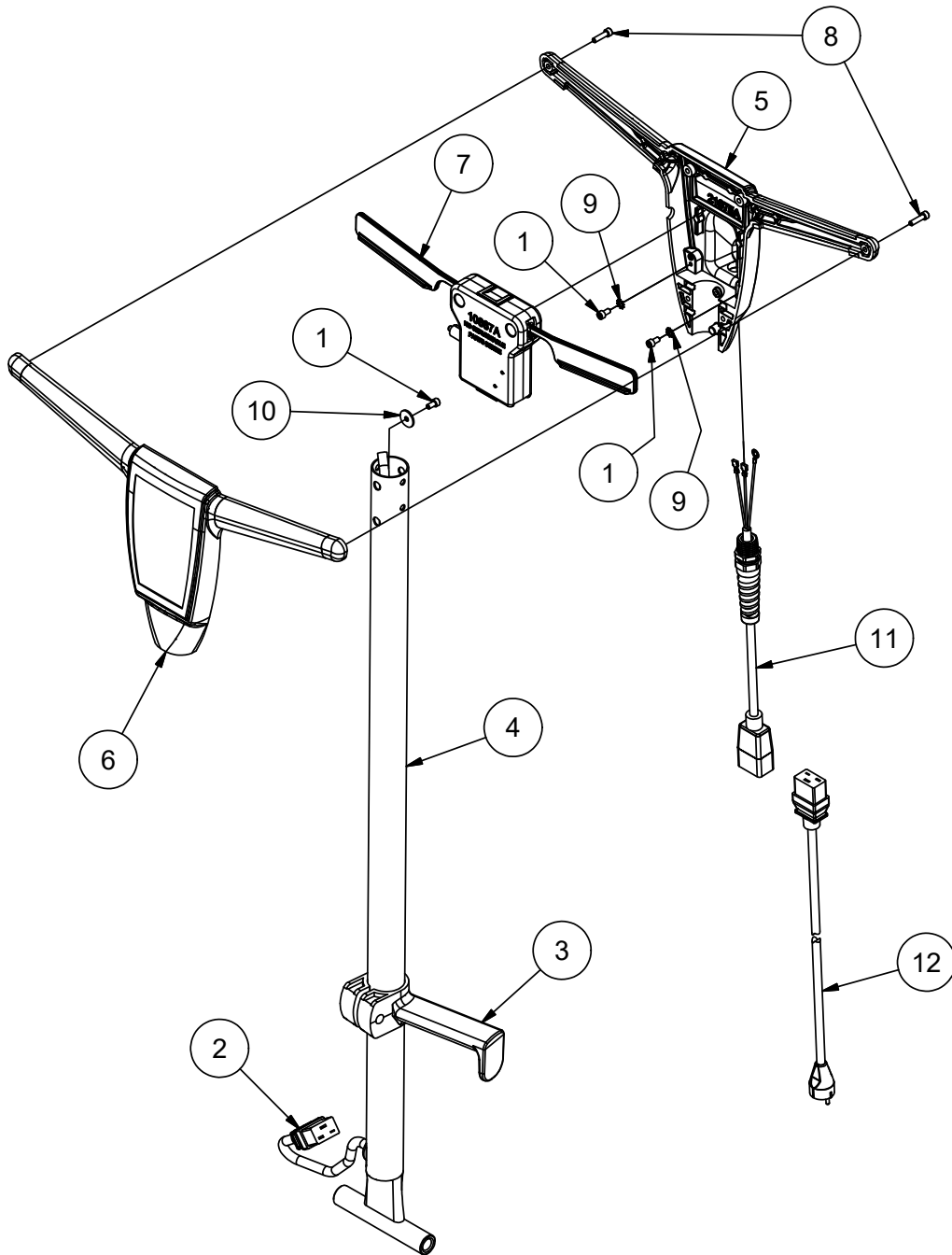


RF065300

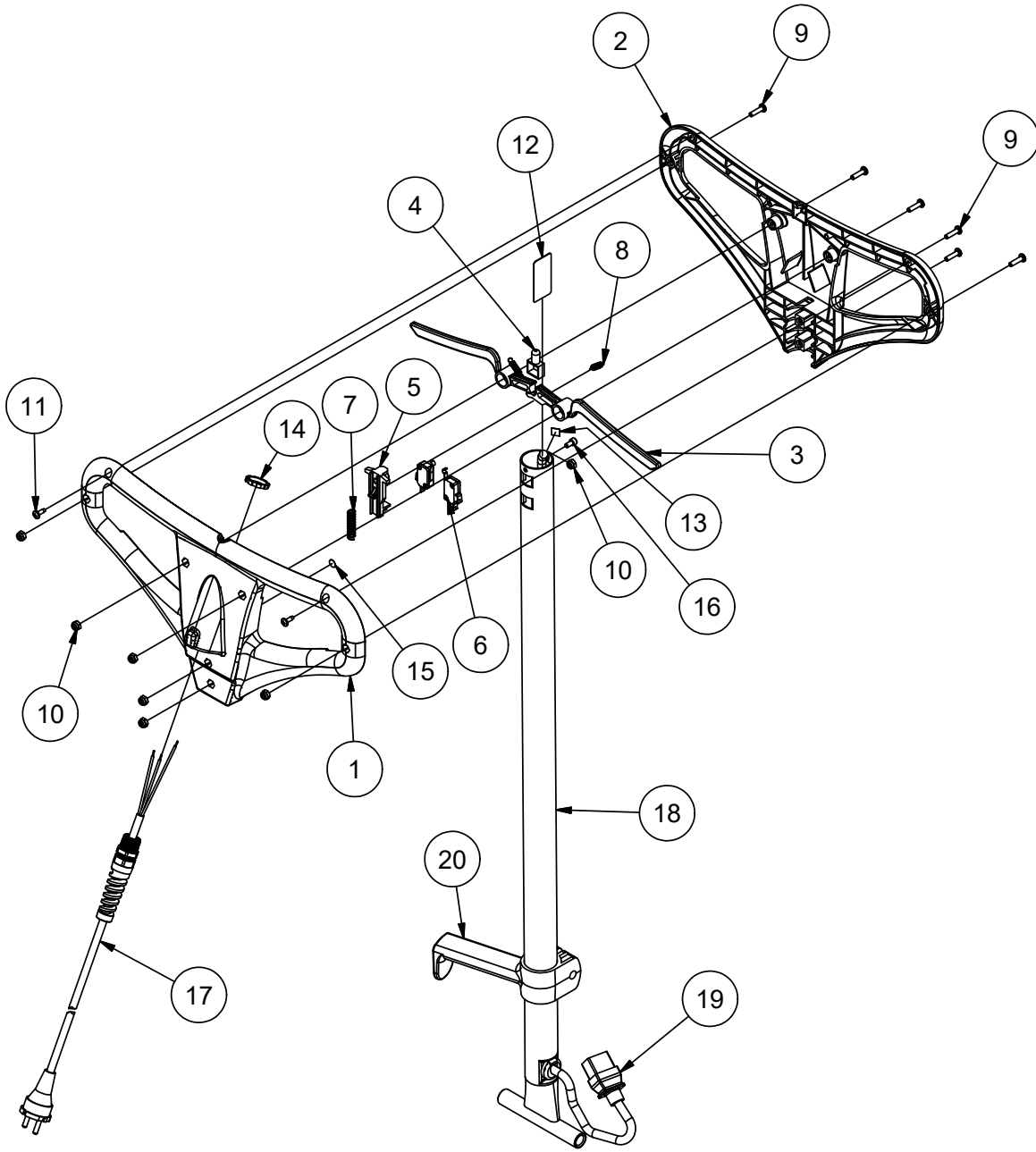
11/29/16

Handle Assembly (continued)

<u>Item</u>	<u>Ref. No.</u>	<u>Description</u>	<u>Qty</u>	<u>Item</u>	<u>Ref. No.</u>	<u>Description</u>	<u>Qty</u>
1	61373A	HANDLE TUBE	1	10	MP476300_A	CORD, POWER, 14/3 , YELLOW	1
2	40789A	CORD INTERCONNECT	1	11	80284A	SCREW, 10-32 UNF X .75	6
3	21075A	HANDLE, REAR - CFP	1	12	MP504400	DECAL, HANDLE, 225BU	1
4	50781A	CLAMP HANDLE C2K	1	13	MP504200	HOUSING, BEARING, SPINDLE, FRONT	1
5	21074A	HANDLE, FRONT - CFP	1	14	902567	BEARING BALL DOUBLE SEALED	2
6	10687A	INTERLOCK ASM.	1	15	167312	RING, RETAINER, INTERNAL	1
7	80290A	SCREW, 10-32 UNF X .375	3	16	NB018500	RING, RETAINER, 3/4", C-STYLE, HD	1
8	80291A	WASHER, FLAT, #10	1	17	NB070200	RING, RETAINING, EXT	1
9	980603	WASHER, LK 10 EXT	2	18	MP503500	SHAFT, SPINDLE, FRONT	1



Parts List			
ITEM	QTY	PART NUMBER	DESCRIPTION
1	3	80290A	SCREW, 10-32 UNF X .375
2	1	AS018000	CORD, INTERCONNECT, EXPORT
3	1	50781A	CLAMP HANDLE C2K
4	1	61373A	HANDLE TUBE
5	1	21075A	HANDLE, REAR - CFP
6	1	21074A	HANDLE, FRONT - CFP
7	1	10687A	INTERLOCK ASM.
8	6	80284A	SCREW, 10-32 UNF X .75
9	2	980603	WASHER, LK 10 EXT TOOTH
10	1	80291A	WASHER, FLAT, #10
11	1	MP512000	CORD, PIGTAIL, HANDLE, EXPORT, IEC
12A	1	MP513000	CORD, POWER SUPPLY, CE, IEC, RED
12B	1	MP514000	CORD, POWER SUPPLY, AUSTRALIAN, IEC



Handle Assembly - 225BU20EB

<u>Item</u>	<u>Ref. No.</u>	<u>Description</u>	<u>Qty</u>
1	50780A	HANDLE, REAR, C2K	1
2	30285A	HANDLE FRONT C2K W/BLANK	1
3	50798A	LEVER, SWITCH, C2K	2
4	50806A	BUTTON, INTERLOCK, C2K	1
5	50799A	INTERLOCK, MAIN, C2K	1
6	40109A	SWITCH, MINIATURE-SPNO, C2K	2
7	50821A	SPRING, COMPRESSION, C2K	1
8	50820A	SPRING, EXTENSION, C2K	2
9	85383A	SCREW 10-32 X 3/4 PAN HD	6
10	920722	BUT, 10-32 ELASTIC STOP ZN. PL.	7
11	962957	SCREW, 10-16 X 1/2 HI-LO	2
12	50930A	CORD RETAINER, C2K	1
13	77094A	LABEL, GROUND SYMBOL	1
14	170686	NUTLK FOR 1/2 CONDUIT	1
15	AS006800	DECAL "N"	1
16	80290A	SCREW, 10-32 UNF X .375	1
17	AS018800	CORD, POWER SUPPLY, CE, 40ft (225BU20E)	
17	MP506300	CORD, POWER SUPPLY, CE, 40ft (225BU20EB)	1
18	AS017400	HANDLE, TUBE, WELDMENT	1
19	AS018000	CORD, INTERCONNECT, EXPORT	1
20	50781A	CLAMP HANDLE C2K	1
21	MP506200	DECAL, HANDLE, 225BU, EXPORT (NOT SHOWN)	1



Amano Pioneer Eclipse Corporation

1 Eclipse Rd ● PO Box 909
Sparta, North Carolina 28675 ● USA
www.pioneereclipse.com

+1-336-372-8080
1-800-367-3550
Fax +1-336-372-2913