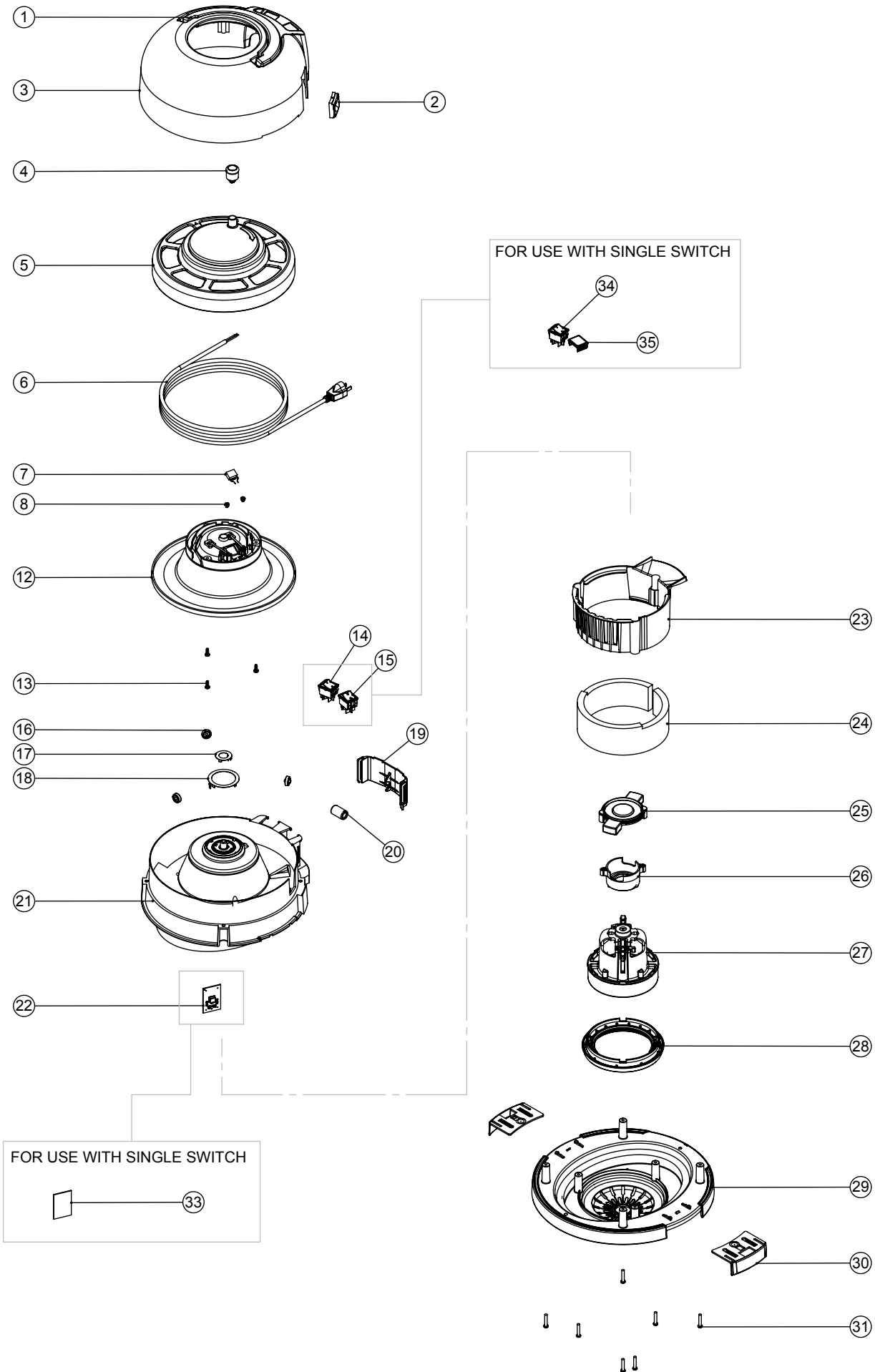


Numatic International Spare Parts

Model No: HEAD STYLE 1 ASSEMBLY 1-STAGE (120V) 2-SPEED & SINGLE SPEED EXPLODED

NA
DRAWING: DRW-19016 ISS:A04
12/05/2015

Models: HVR, HET, HVX, NRV



Numatic International Spare Parts

Model No: HEAD STYLE 1 ASSEMBLY 1-STAGE (120V) 2-SPEED & SINGLE SPEED EXPLODED

ITEM:	PART No:	Description	QTY.	COMMENTS:
1	227120	HANDLE - HVR/HET/NRV	1	
2	237687	BLACK CABLE ENTRY	1	
3	-	COVER	1	CONTACT NUMATIC FOR DETAILS
4	229617	CABLE REEL WINDER KNOB ASSY	1	
5	227180	CABLE REEL COVER (V2 RATED)	1	
6	236041	MAINS CABLE (10.0 METRE LONG / 18AWG / 2 CORE / YELLOW CABLE / CSA PLUG)	1	
7	230096	SUPPRESSOR CAPACITOR ASSEMBLY WITH DISCHARGE RESISTOR	1	
8	219090	M4 X 8MM LONG POZI PAN SEMS SCREW	2	
9	227145	CONNECTING STRIP	2	
10	227103	CONTACT BUSH	2	
11	219009	M4 BRASS TAPPEX INSERT	2	
12	206491	CABLE REEL MOULDING	1	
13	219101	No8 X 1/2 INCH LONG POZI PAN PLASTIITE SCREW	3	
14	220552	RED ROCKER SWITCH (WHITE PRINT)	1	
15	220243	SWITCH.SPDT.RKR.HV	1	
16	227436	ROLLER WHEEL	3	
17	227141	INNER CONTACT RING	1	
18	227142	OUTER CONTACT RING	1	
19	229738	SWITCH COVER V2 RATED MATERIAL	1	
20	230097	AXIAL FERRITE BEAD	1	
21	229736	TOP MOTOR HOUSING (V2 RATED)	1	
22	206608	NUMATIC 2 SPEED CONTROL PCB	1	
23	237706	AIRGUIDE (DL1 TYPE)	1	
24	203038	POD SIDE FELT (DL1 TYPE)	1	
25	229614	MOTOR PLATE BI -MATERIAL	1	
26	237480	ADAPTOR MOTOR (DL1 603T)	1	
27	205291	MOTOR 600W (120V) (DL1651T)	1	
28	237089	BOTTOM MOTOR GASKET - CUP MOTOR	1	
29	237606	BOTTOM MOTOR HOUSING (BI-MATERIAL)	1	
30	229622	TOGGLE (BI-MATERIAL)	2	
31	291082	#8 SCREW 1"L T20 PAN HEAD P/L THREAD FORMING	7	
33	227957	BLANKING PLATE	1	
34	220582	GREEN ROCKER SWITCH (WHITE PRINT) 0-1	1	
35	237082	BLANKING PLUG - ROCKER SWITCH	1	

FOR WIRING DIAGRAMS PLEASE SEE DOC-21993 (REFER ONLY TO THE LATEST VERSION) OR NUMATIC WEBSITE

Parish-Supply.com
Syracuse, NY 315-433-9031
www.parish-supply.com

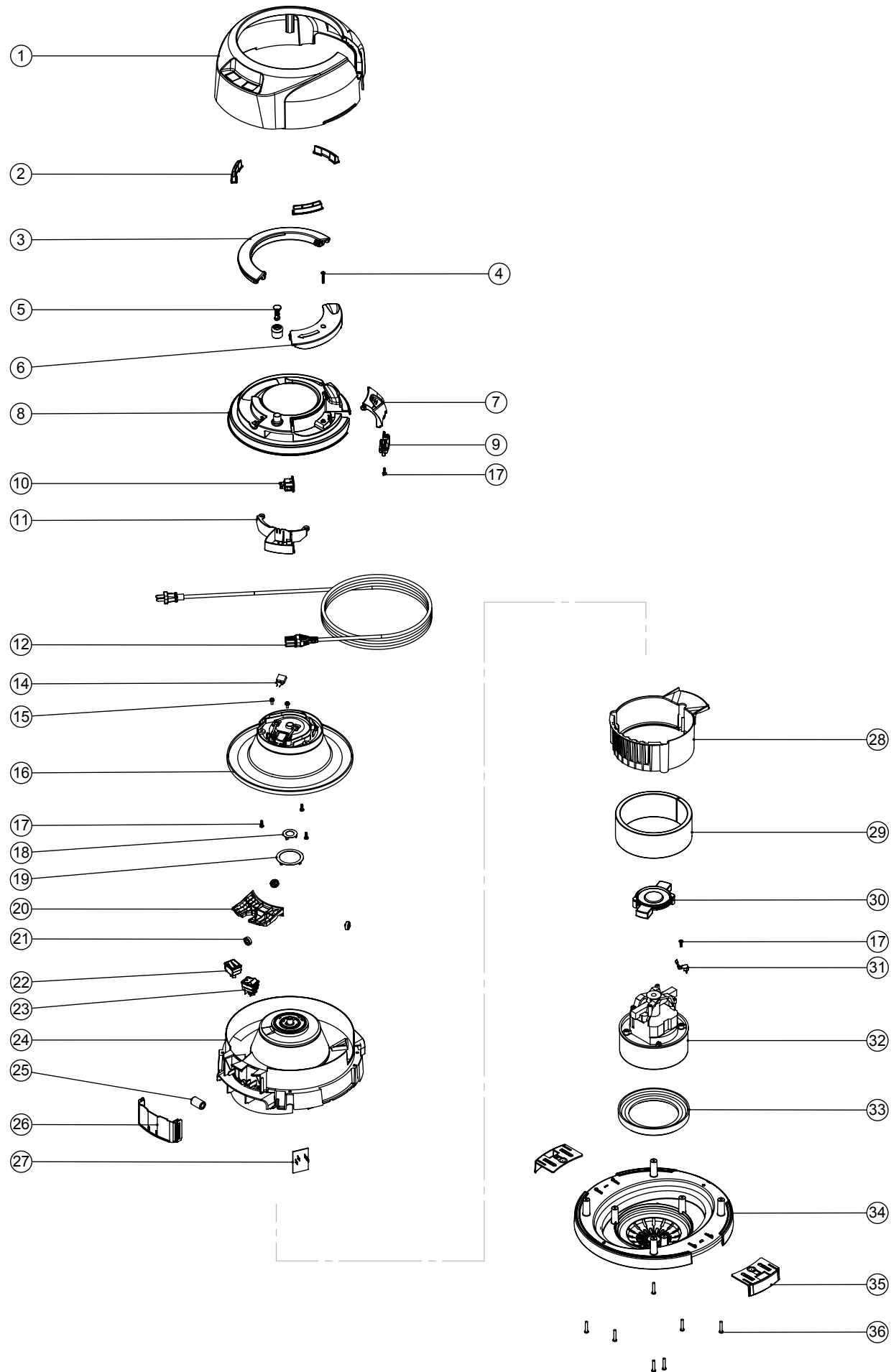


Numatic International Spare Parts

Model No: HEAD STYLE 3 (NACECARE) AUTOSAVE EXPLODED DRAWING

NA
DRAWING: DRW-18875 ISS:A01
07/01/2015

Models: PPR, PPT



Numatic International Spare Parts

Model No: HEAD STYLE 3 (NACECARE) AUTOSAVE EXPLODED DRAWING

ITEM:	PART No:	Description	QTY.	COMMENTS:
1	237385	PPR COVER	1	CONTACT NUMATIC FOR DETAILS
2	237386	PPR - CALLIPER	3	
3	237396	PPR - HANDLE	1	
4	291117	NO.8 x 1 INCH (4.5MM CAPTIVE) POZI-PAN SCREW / PLASTITE / BLACKODISED	1	
5	229617	CABLE REEL WINDER KNOB ASSY	1	
6	237581	PPR - REELER PLUG COVER (V2 RATED)	1	
7	237395	PPR (PLUGGED) BLACK CABLE COVER	1	
8	237579	PPR (PLUGGED) BLACK REELER COVER (V2 RATED)	1	
9	237391	PPR - CABLE GUIDE	1	
10	230204	NUC18S INLET - VOLEX	1	
11	237580	PPR - SOCKET SADDLE (V2 RATED)	1	
12	236160	12.5MT X 18AWG X 2 CORE YELLOW CABLE (PPR PLUGGED) CSA	1	
14	230096	SUPPRESSOR CAPACITOR ASSEMBLY WITH DISCHARGE RESISTOR	1	
15	291151	M4 X 10MM LONG T20 SEMS SCREW Z/PL - PRODUCT CODE 8.8 - TX20 HEAD	2	
16	227447	CABLE REEL MOULDING ASSEMBLY	1	
17	219101	No8 X 1/2 INCH LONG POZI PAN PLASTIITE SCREW	5	
18	227141	INNER CONTACT RING	1	
19	227142	OUTER CONTACT RING	1	
20	237133	WIRE ENTRY ENCLOSURE (PVR FRONT SWITCH) (V2 RATED MATERIAL)	1	
21	227436	ROLLER WHEEL	3	
22	221102	RED MOMENTARY ROCKER SWITCH (BLACK BODY / RED ILLUMINATION WINDOW)	1	
23	220582	GREEN ROCKER SWITCH (WHITE PRINT) 0-1	1	
24	237130	TOP MOTOR HOUSING (PVR FRONT SWITCH) (V2 RATED MATERIAL)	1	
25	230097	AXIAL FERRITE BEAD	1	
26	229738	SWITCH COVER V2 RATED MATERIAL	1	
27	208300	AUTOSAVE 2 SPEED CONTROL PCB	1	
28	229621	AIR GUIDE	1	
29	203020	POD SIDE FELT	1	
30	229614	MOTOR PLATE BI -MATERIAL	1	
31	208379	SPRING CLIP (LAMB DAF MOTOR)	1	
32	205401	120V 2 STAGE THRO FLOW TAPER FAN MOTOR (DL21101T) TCO	1	
33	227882	BOTTOM MOTOR GASKET	1	
34	237606	BOTTOM MOTOR HOUSING (BI-MATERIAL)	1	
	237607	BOTTOM MOTOR HOUSING (TWIN-SHOT)	1	
35	229622	TOGGLE (BI-MATERIAL)	2	
	229715	TOGGLE (TWIN SHOT)	2	
36	291082	#8 SCREW 1"L T20 PAN HEAD P/L THREAD FORMING	7	

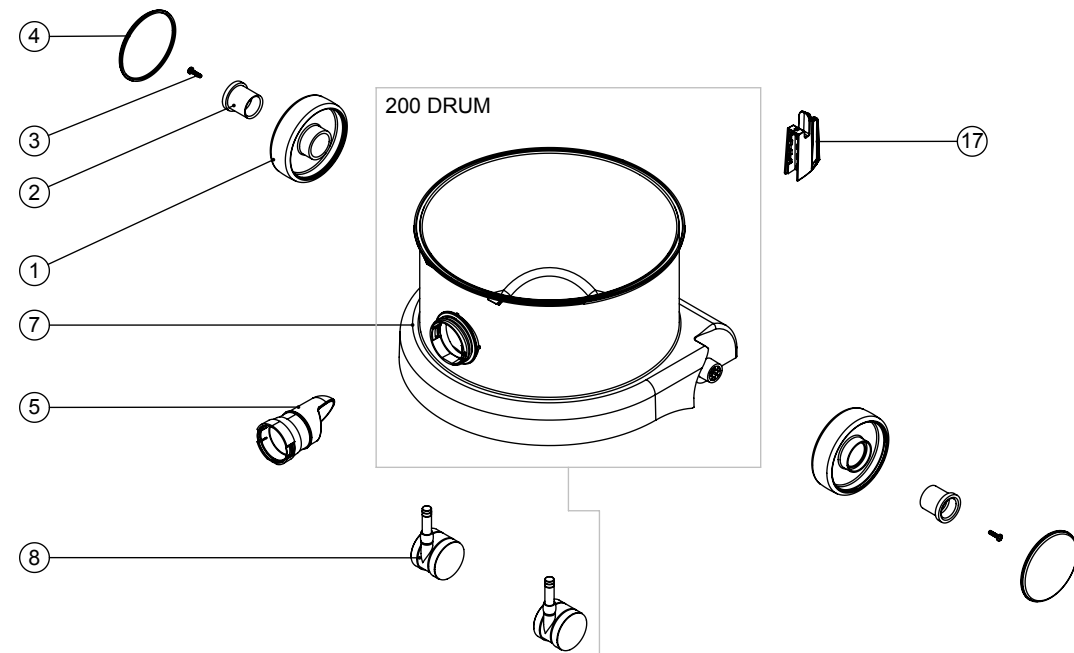
Parish-Supply.com
Syracuse, NY 315-433-9031
www.parish-supply.com



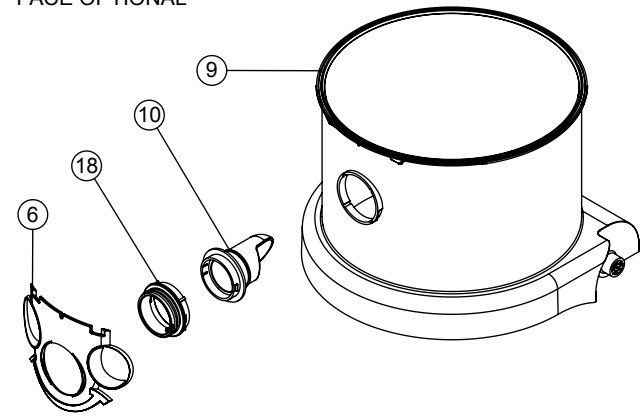
Numatic International Spare Parts

Model No: DRUM STYLE 2 - 200/370 SKIRTED

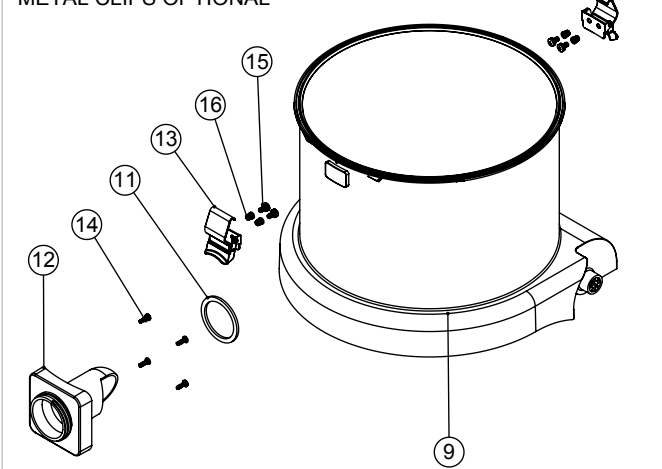
NA
DRAWING: DRW-18694 ISS:A01
23/12/2014



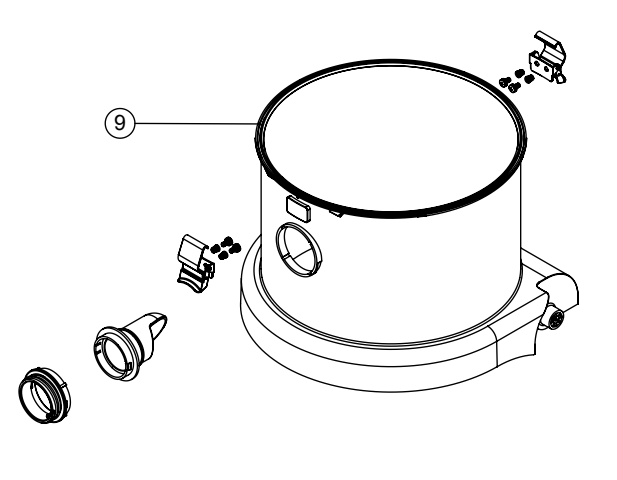
370 DRUM - DRY/WET HOSE CONNECTOR
FACE OPTIONAL



370 DRUM - DRY HOSE CONNECTOR
METAL CLIPS OPTIONAL



370 DRUM - DRY/WET HOSE CONNECTOR
METAL CLIPS OPTIONAL



Numatic International Spare Parts

Model No: DRUM STYLE 2 - 200/370 SKIRTED

ITEM:	PART No:	Description	QTY.	COMMENTS:
1	227640	2 SHOT WHEEL ASSEMBLY	2	
2	227868	WHEEL HUB FOR 2 SHOT WHEEL	2	
3	219105	No8 X 5/8 INCH LONG POZI PAN PLASTITE SCREW	2	
4	-	WHEEL TRIM	2	CONTACT NUMATIC FOR DETAILS
5	237119	FRONT FIT BAG CONNECTOR	1	
6	-	PARALLEL SNAP FIT FACE PRINTED	1	CONTACT NUMATIC FOR DETAILS
7	-	200 DRUM	1	CONTACT NUMATIC FOR DETAILS
8	204067	50MM BLACK TWIN CASTOR	2	
9	-	NVQ 370 DRUM	1	CONTACT NUMATIC FOR DETAILS
10	227363	BAG CONNECTOR	1	
11	202027	HOSE FLANGE GASKET	1	
12	206024	DRY HOSE CONNECTOR FLANGE	1	
13	206038	TOGGLE	1	
14	219101	No8 X 1/2 INCH LONG POZI PAN PLASTITE SCREW	1	
15	219047	M5 X 10MM LONG POZI PAN SEMS SCREW	1	
16	219477	TAPPEX INSERT	1	
17	237578	Wand Dock (Eco)	1	
18	227395	BLACK THREADED NECK	1	