



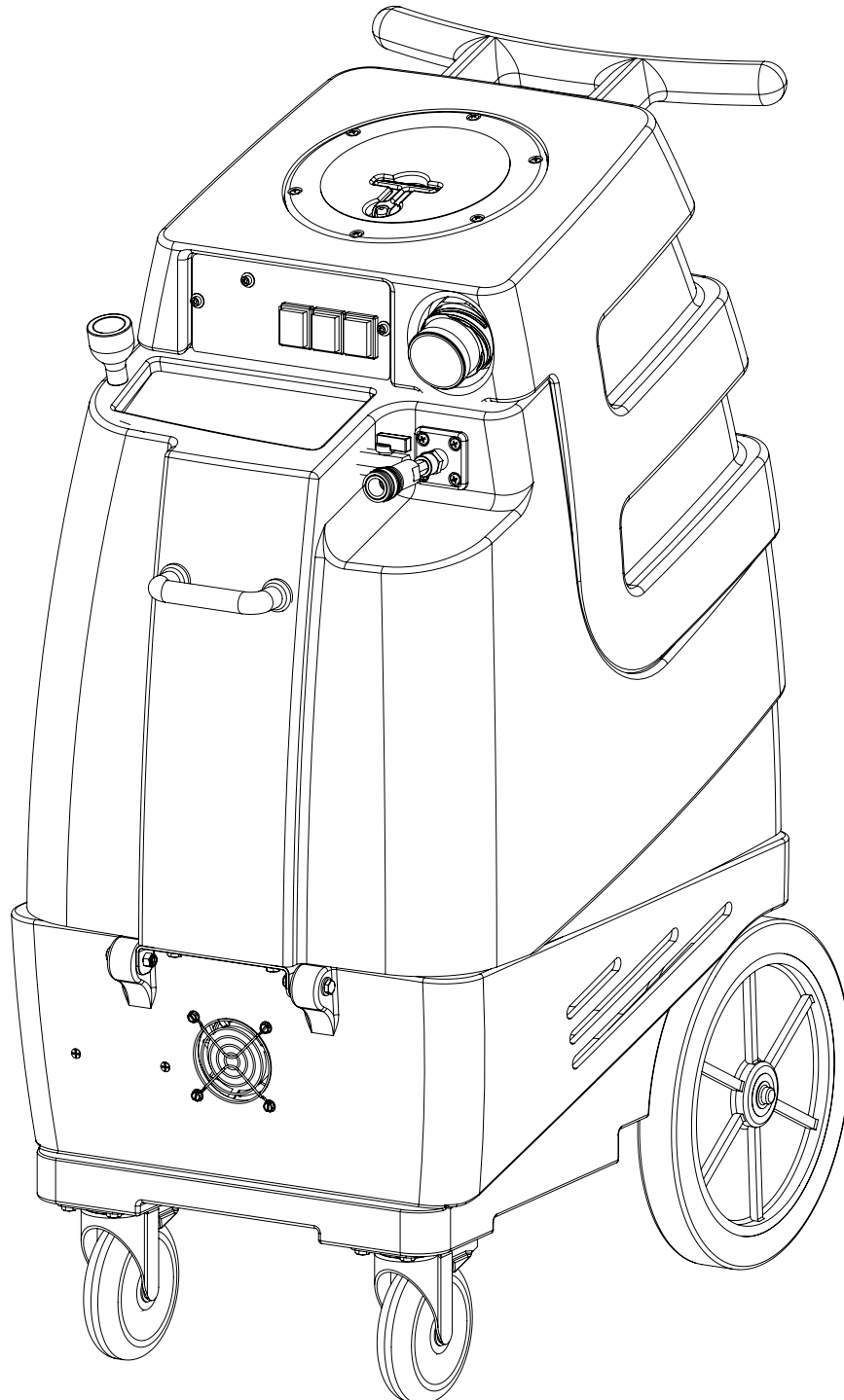
# Instructions for 1000DX-200, 1001DX-200, 1003DX, 1005DX Speedster®



Please read before use.



Register your product  
at <http://www.mytee.com/support/register>



1000DX-200 p.3  
1001DX-200 p.9  
1003DX p.15  
1005DX p.21  
General information p.27

Model # \_\_\_\_\_

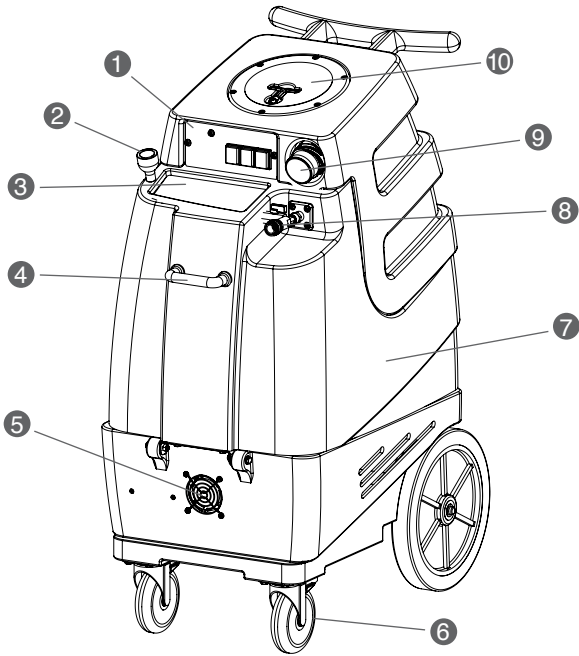
Serial # \_\_\_\_\_

Form # ADP-Speedster

5-14

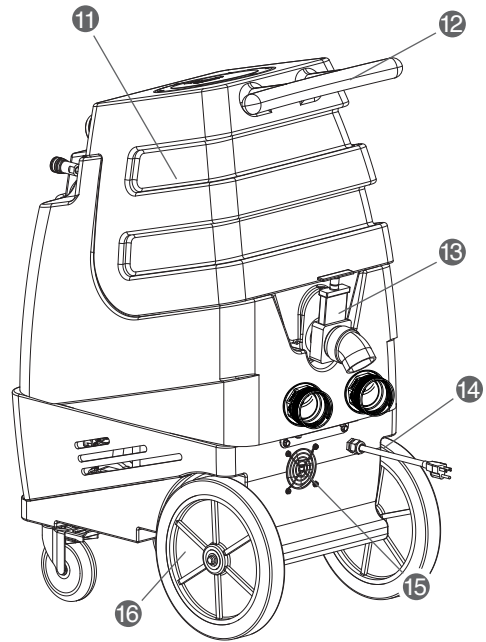


## 1000DX-200 SPEEDSTER® FRONT



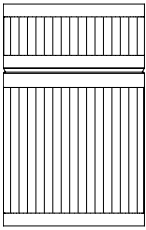
- 1. Switch plate
- 2. Easy faucet fill
- 3. Solution tank lid
- 4. Front handle
- 5. Front vent
- 6. 5" locking casters
- 7. Solution tank
- 8. Female quick disconnect
- 9. 2" Male Cuff-Lynx™
- 10. Recovery lid

## 1000DX-200 SPEEDSTER® BACK

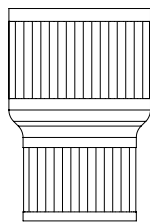


- 11. Recovery tank
- 12. Push handle
- 13. Drain valve
- 14. Power cord
- 15. Back vent
- 16. 12" Rear wheels

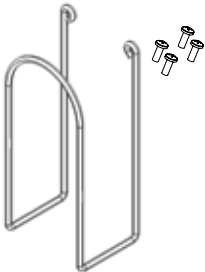
## 1000DX-200 SPEEDSTER® ITEMS INCLUDED



H110 Cuff-Lynx™  
2" Hose Adapter



H141 Cuff-Lynx™  
2" Hose Reducer to 1.5"

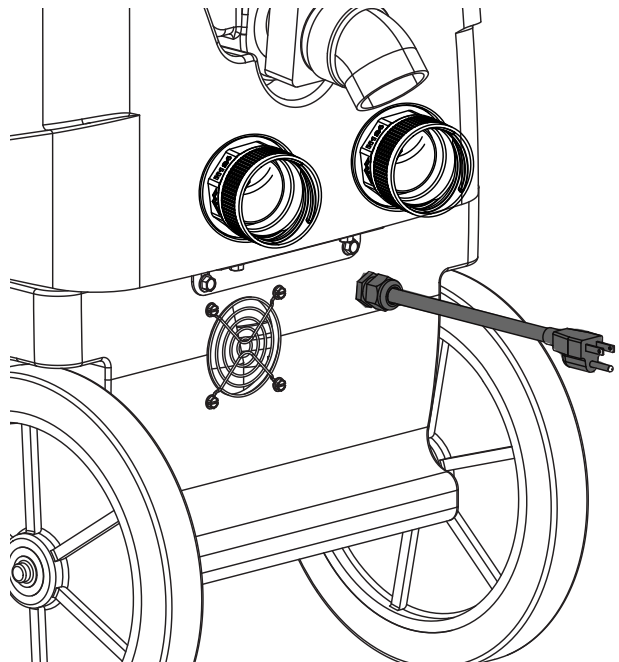


H375- Hose Hanger  
(4) screws



H226 Drain Elbow

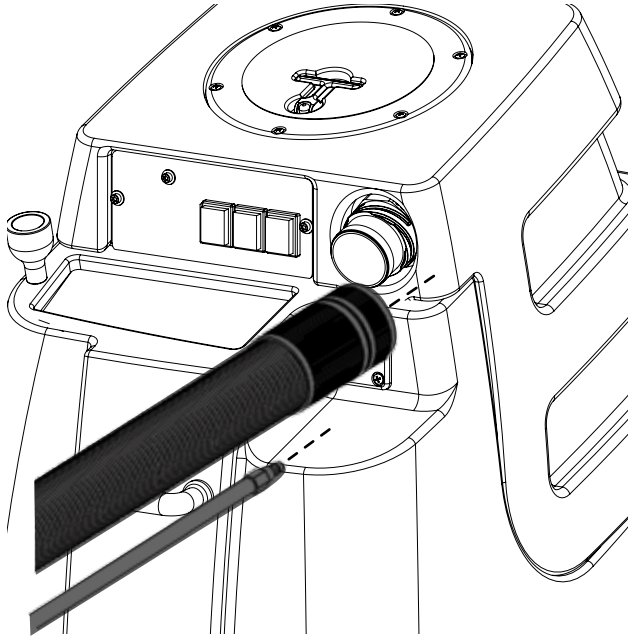
## 1000DX-200 SPEEDSTER® CORD



Plug the power cord into a single, 20A grounded wall outlet.

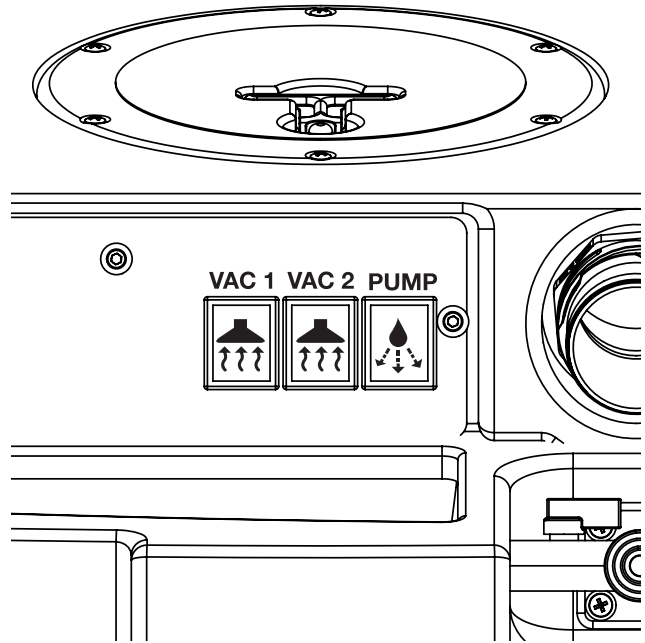
# 1000DX-200 SPEEDSTER

## 1000DX-200 SPEEDSTER® VAC/SOL HOSE CONNECTIONS



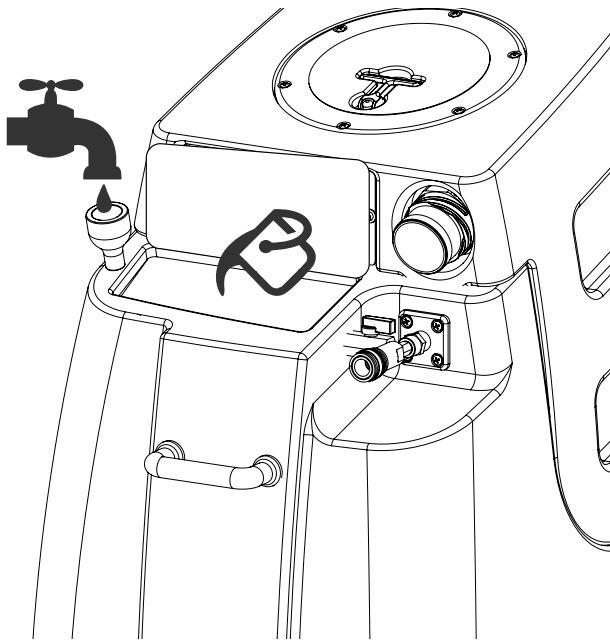
Attach one end of a solution hose to a wand or other tool, the other end to the Speedster's® front quick disconnect. Attach one end of a vacuum hose to the tool, the other end to the Speedster's® Cuff-Lynx™ vacuum hose port.

## 1000DX-200 SPEEDSTER® SWITCHES



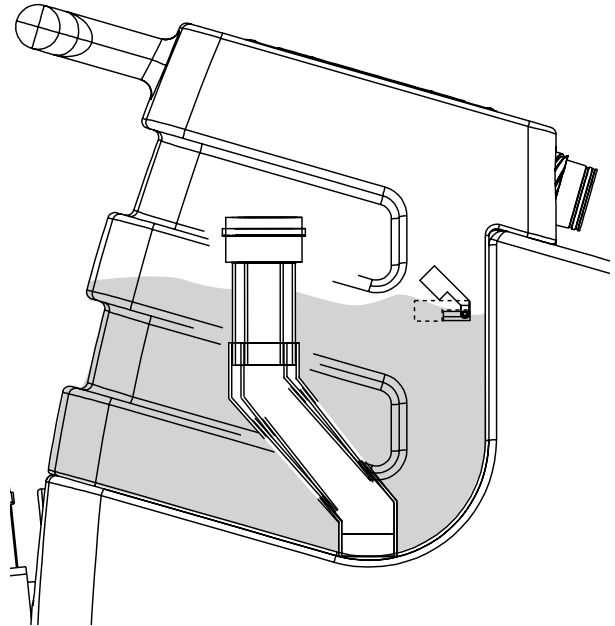
Turn on Vac 1, Vac 2 and Pump switches.

## 1000DX-200 SPEEDSTER® FILL SOLUTION TANK



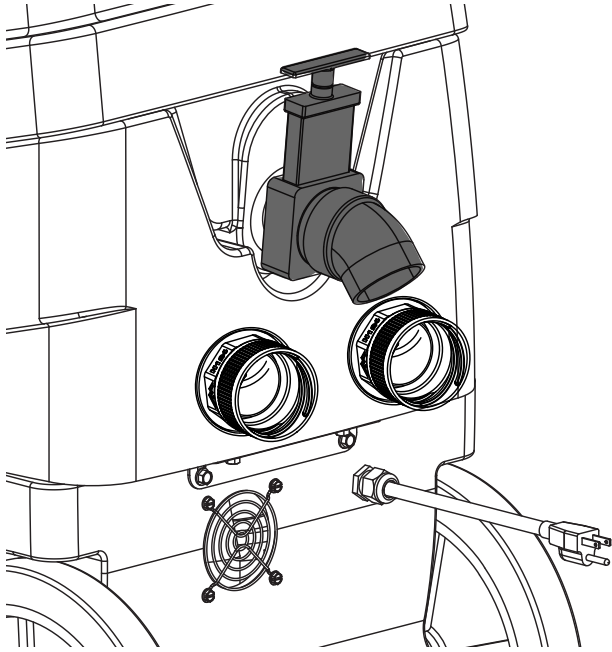
Lift lid and manually fill the solution tank or use the easy faucet fill.

## 1000DX-200 SPEEDSTER® FLOAT SWITCH



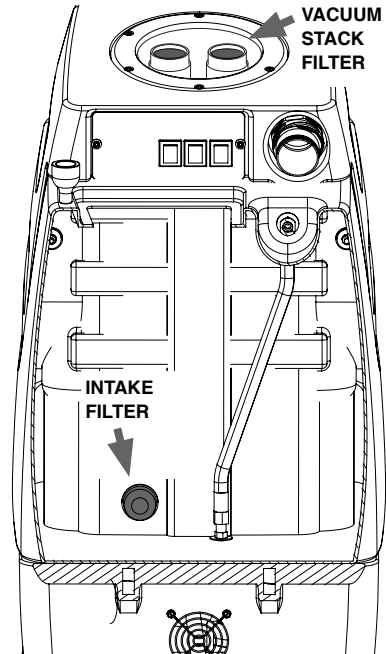
The Speedster® is equipped with an electronic float switch inside the recovery tank. The recovery float switch is activated by rising water to prevent suction into the vacuum stacks damaging the motors.

## 1000DX-200 SPEEDSTER® DUMP VALVE



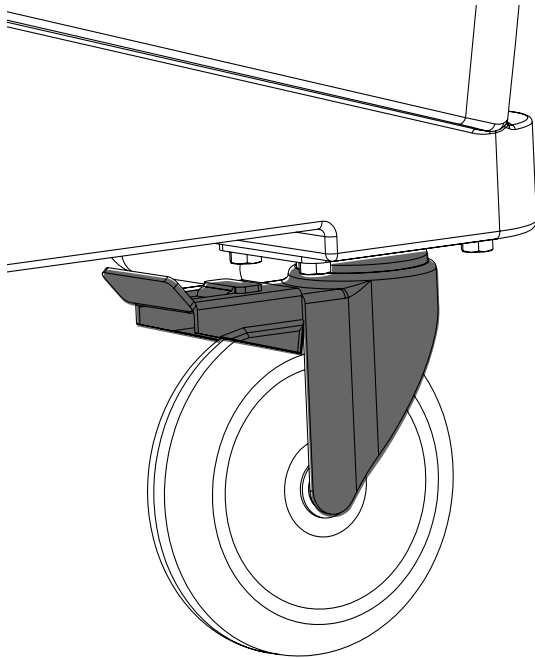
Attach the 45° drain elbow to the drain spout in back. Lift up the dump valve and empty the tank.

## 1000DX-200 SPEEDSTER® FILTER MAINTENANCE



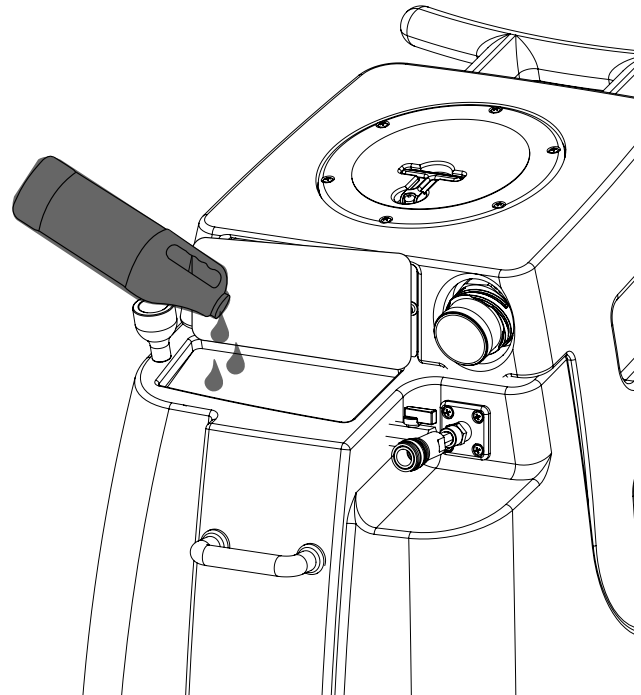
Check and clean the vacuum stack filters and solution tank filter daily by twisting off, rinsing with clean water and replacing.

## 1000DX-200 SPEEDSTER® LOCKING CASTERS



Locking casters help keep the machine remain stationary during use.

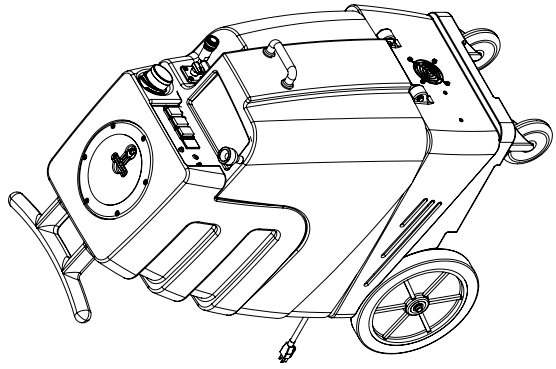
## MYTEE® SYSTEM MAINTAINER



Weekly flushing of the solution system with Mytee® System Maintainer helps keep lines clean and prevents chemical build-up, improving pump life, performance and pressure.

# 1000DX-200 SPEEDSTER PARTS & PRICING

ITEM NO.	PART NO.	DESCRIPTION	QTY.	MSRP	ITEM NO.	PART NO.	DESCRIPTION	QTY.	MSRP
1	C317	fan, cooling, 115V	1	\$21.49 ea	56	H378	bracket, front hinge, sp/fb	1	\$8.99 ea
2	H343	screw, #10 x 5/8" hex head, zinc	12	\$0.99 ea	57	B119A	filter, strainer, 1/2"	1	\$6.49 ea
3	H296	guard, cooling fan, wire	3	\$2.99 ea	58	B210	bushing, brass, 1/2" mpt x 3/8" fpt, hex	1	\$2.49 ea
4	H186	screw, 10-32 x 3/4", phill flat full thread	2	\$0.99 ea	59	B216	nut, brass, 3/8" x close	1	\$1.99 ea
5	E370	controller, water level, dual pump or vac	1	\$94.99 ea	60	H226	spout, drain, 45 degree	1	\$3.19 ea
6	H273	nut, kep. # 10-32 zinc	8	\$0.99 ea	61	H225	valve, drain, 1-1/2"	1	\$20.99 ea
7	H216	nut, lock, 1/4-20, nylon insert, s/s	10	\$0.99 ea	62	P733	vac tank, speedster	1	\$190.99 ea
8	H210	washer, 1/4" flat, s/s	22	\$0.99 ea	63	H314	nut, lock, 1-1/2", steel	2	\$1.99 ea
9	H342	bolt, 1/4-20 x 1" hex head, s/s	8	\$0.99 ea	64	PH633-03	pipe, pvc, 1-1/2"	4	\$4.99/ft
10	H666	caster, 5", Black hub & gray tread	2	\$23.19 ea	65	PH633-4	pipe, pvc, 1-1/2"	2	\$4.99/ft
11	H371	axle, 18.25" x .50" dia	1	\$9.99 ea	66	P502	adapter, 1.5" pvc, fslip x fslip	2	\$5.00 ea
12	H254	washer, axle, cut 1/2" id	4	\$0.99 ea	67	G097	screen, mesh filter, 1-1/2" dia	2	\$4.99 ea
13	H251	wheel, 12"	2	\$41.99 ea	68	G022	filter, foam, 2-3/8" x 1"	2	\$2.99 ea
14	H219	cap, axle, 1/2"	2	\$0.99 ea	69	PH633-1	pipe, pvc, 1-1/2"	2	\$4.99 ft
15	H221	nut, lock, 1/2" steel	1	\$1.99 ea	70	P503	adapter, 1.5" pvc, 45 deg, fslip x fslip	4	\$3.29 ea
16	H120	fitting, strain relief, cord	1	\$3.19 ea	71	P520	adapter, pvc, 1-1/2" mpt x 1-1/2" fms	2	\$2.99 ea
17	E550	power cord, pigtail, 30', 12/3, black	1	\$11.49 ea	72	G090	lid, vac tank, clear, 7"	1	\$36.99 ea
18	P731	base, speedster	1	\$141.99 ea	73	H304	screw, #8 x 5/8 phill oval, s/s	6	\$0.99 ea
19	H202	bolt, 1/4-20 x 3/4" hex head, s/s	6	\$0.99 ea	74	G091	gasket, 7", vac lid	1	\$11.99 ea
20	PH615-26	sol hose, 1/2" kun 100psi	1	\$8.99/ft	75	A926	elbow, inlet assembly, 2"	1	\$15.99 ea
21	H347	clamp, hose, 5/16-29/32	4	\$1.99 ea	76	G083	gasket, 2" inlet	1	\$2.49 ea
22	B160	adapter, brass, 1/2" barb x 3/8" fsw, ball end	1	\$3.49 ea	77	H135	Cuff-Lynx, 2" m cuff x 2" mpt	1	\$3.99 ea
23	B186	elbow, brass, 90 deg, 3/8" mpt x 3/8" fmppt	1	\$8.99 ea	78	E515	switch, rocker, 2 position	3	\$13.99 ea
24	AH120	sol hose, 28" x 1/4", 1/4 fpt	1	\$35.49 ea	79	P967A	plug	1	\$1.99 ea
25	B136	elbow, brass, 90 deg, 1/4" mpt x 1/4" mpt	1	\$4.99 ea	80	H389	screw, 10-32 x 1/2" SHCS, alloy	3	\$0.99 ea
26	B105	bushing, brass, 3/8" mpt x 1/4"	1	\$3.19 ea	81	H612	Washer, #8, flat, regular	3	\$0.99 ea
27	H299	washer, 11/16" id x 1-1/2" od x .075, s/s	4	\$0.99 ea	82	H348	plate, switch, 1000DX-200	1	\$6.99 ea
28	H222	screw, 10-32 x 1-1/4" phill pan head, s/s	4	\$0.99 ea	83	B156	nut, 1/4" mpt	1	\$1.99 ea
29	C322D	pump, 220psi, diaphragm, 115V	1	\$208.99 ea	84	H212	flat washer, 9/16" ID x 1 1/16" OD, AN960-C916	1	\$0.99 ea
30	B172	elbow, brass, 90 deg, 1/2" barb x 3/8" mpt	1	\$94.99 ea	85	E373	level switch, vacuum shut-off, rear threads	1	\$13.99 ea
31	H912	bracket, rear, fb/spy	1	\$9.99 ea	86	B207	elbow, brass, 90 deg, 1/4" fpt x 1/4" fpt	1	\$5.99 ea
32	H770	bolt, 1/4-20 x 1/2" serrated hex flange, zinc	4	\$0.99 ea	87	H390A	bracket, L"	2	\$6.99 ea
33	H307	washer, star, 1/4" steel zinc	4	\$0.99 ea	88	H034	plastite screw, 1/4 x 1"	4	\$2.99 ea
34	G052	washer, buna 1-1/8" od x 3/16" id	6	\$1.99 ea	89	H096	bolt, hex, 1/4-20 x 4", zinc Finish	6	\$0.99 ea
35	H211	washer, 1/4" id x 1" od, flat, s/s	6	\$0.99 ea	90	H503	vac support, 3 stage, 3.25", no thlds	6	\$3.99 ea
36	H124	Cuff-Lynx, 2" mpt x 2" female cuff	2	\$3.99 ea	91	C302LA	vac motor, 3 stage, low amp	2	\$139.99 ea
37	H194	coupler, 2" dia x 2.5" length, s/s	2	\$10.00 ea	92	G004	gasket, vac motor - Speedster	2	\$8.99 ea
38	H217	clamp, hose, 2-1/4 dia	4	\$1.49 ea	ITEMS NOT SHOWN				
39	PH628-24	vac hose, 2", wire reinforced	1	\$8.99/ft					
40	H213	washer, 1/4" lock, s/s	10	\$0.99 ea					
41	H215	nut, hex, 1/4-20 s/s	2	\$0.99 ea					
42	H178	faucet fill	1	\$10.99 ea					
43	G018	cover, sol tank (sp)	1	\$12.99 ea					
44	P732	sol tank, speedster	1	\$141.99 ea					
45	H768	bolt, 1/4-20 x 3/4" serrated hex flange, zinc	2	\$0.99 ea					
46	B107	nipple, brass, 1/4" m, hex	3	\$3.19 ea					
47	H484	plate, mounting, OD	1	\$4.99 ea					
48	H256	screw, 10-32 x 3/4" phill pan head, zinc	4	\$0.99 ea					
49	B142	coupling, brass, 1/4" fpt x 1/4" fpt	1	\$4.49 ea					
50	B135	tee, brass, 1/4" mpt	1	\$5.49 ea					
51	B102	qd, brass, 1/4" f	1	\$17.99 ea					
52	B656	ball valve, 1/4"	1	\$13.49 ea					
53	B109	adapter, brass, 1/4" barb x 1/4" mpt	1	\$1.99 ea					
54	PH634-36	sol hose, 1/4", silicone braided, clear	1	\$6.49 ft					
55	H485	handle, breeze and dx	1	\$6.99 ea					



mytee PRODUCTS, INC.  
888.95.1511

DATE: 10/2013  
DRAWN: M. Labadie  
CHECKED: [blank]  
COMMENTS: [blank]

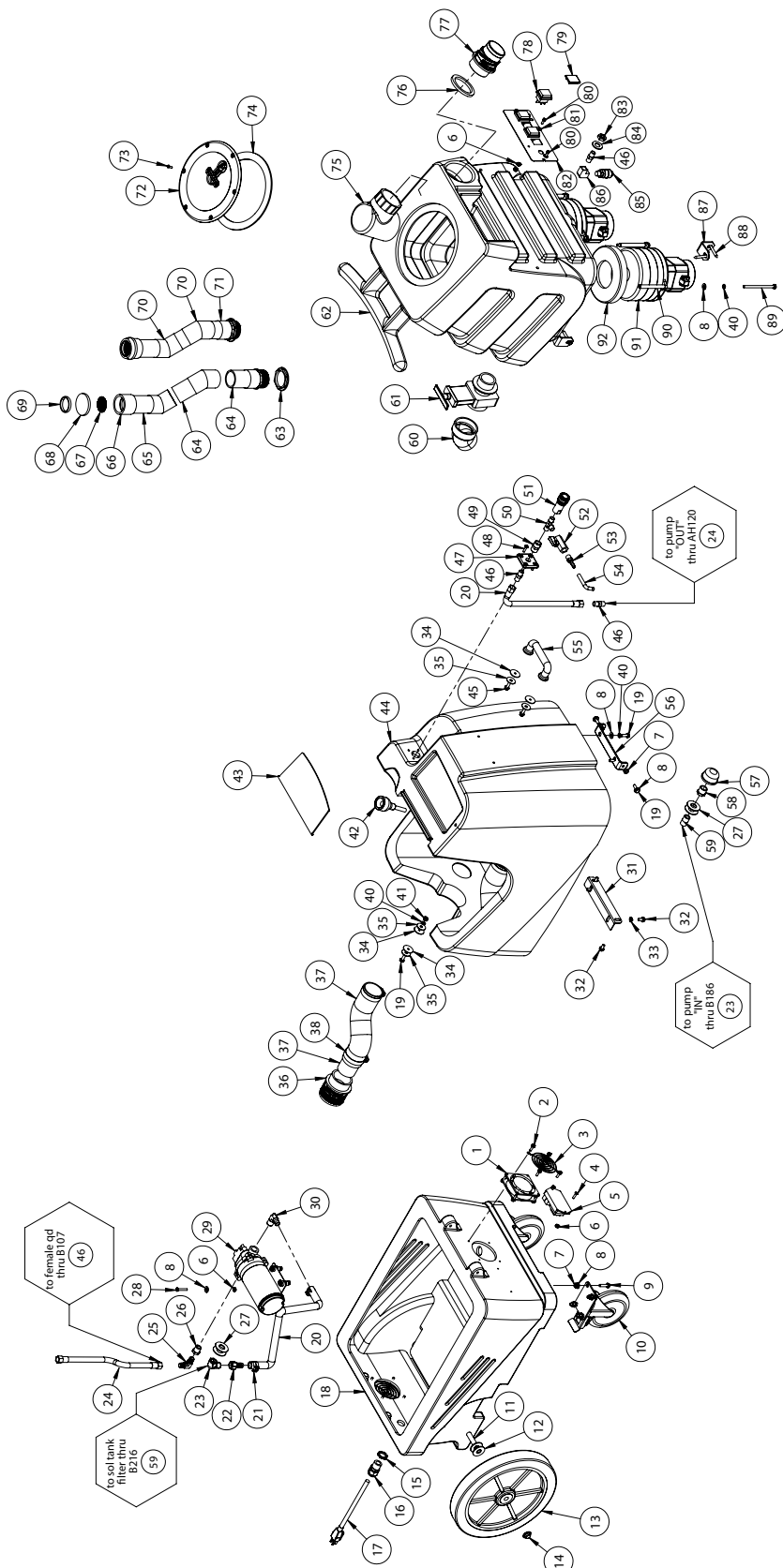
PROPERTY AND CONFIDENTIAL  
THE INFORMATION CONTAINED HEREIN IS THE PROPERTY OF MYTEE PRODUCTS, INC. ANY REPRODUCTION OR TRANSMISSION OF THIS INFORMATION WITHOUT THE WRITTEN PERMISSION OF MYTEE PRODUCTS, INC. IS PROHIBITED.

SCALE: 1:48

SIZE DWG. NO. C 1000DX-200  
REV C

SHEET 1 OF 3

# 1000DX-200 SPEEDSTER PARTS & PRICING

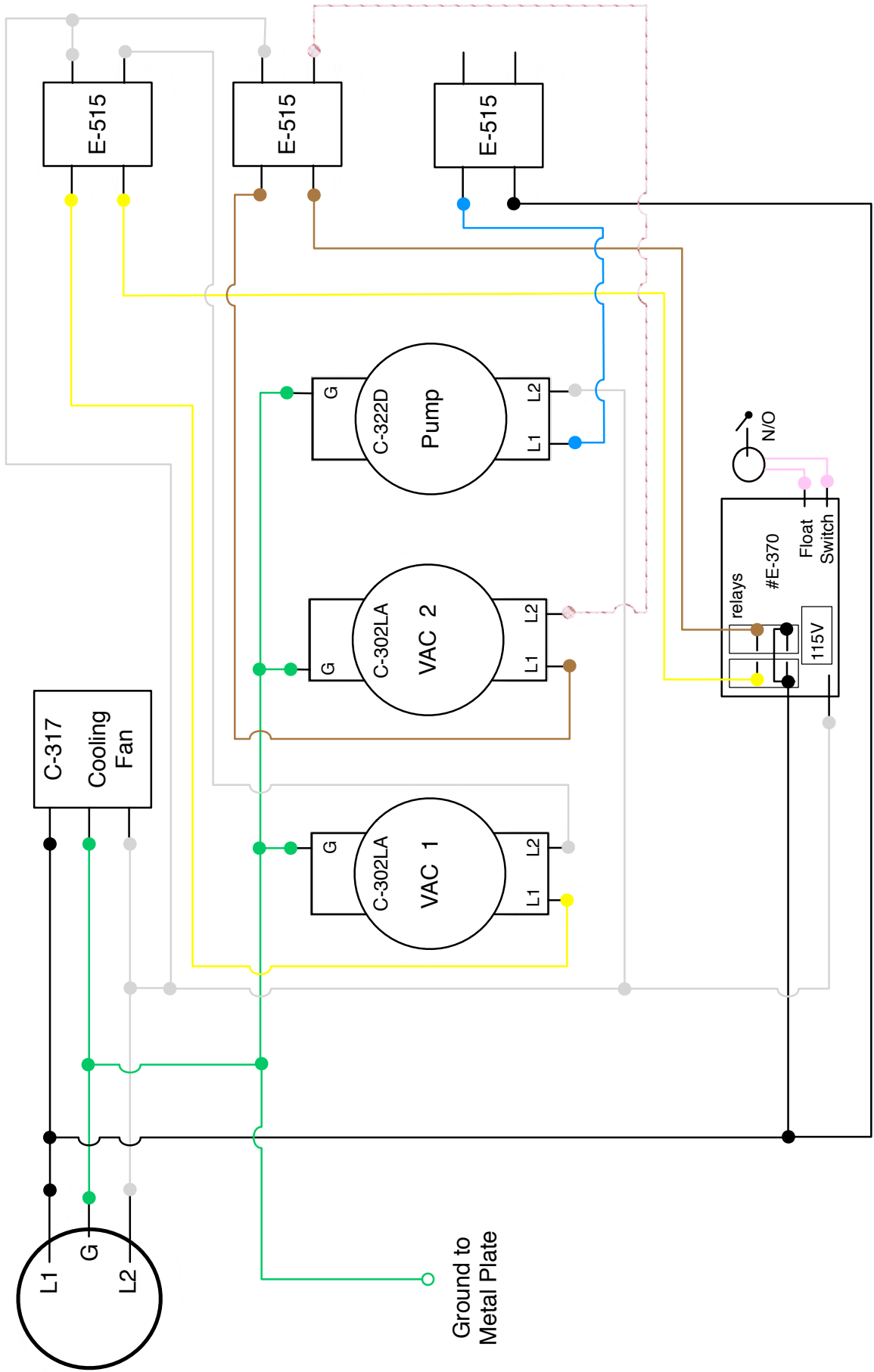


NAME	DATE	mytee PRODUCTS, INC.
DRAWN M.L. Barber	10/2013	REV C
CHECKED		SIZE DWG. NO. C 1000DX-200
COMMENTS:		SCALE: 1:48
TITLE: speedster		SHEET 2 OF 3

PROPERTY AND CONFIDENTIAL DRAWINGS. THE SOLE PROPERTY OF MYTEE PRODUCTS, INC. REPRODUCTION OR AS A WHOLE OR IN PART WITHOUT THE WRITTEN PERMISSION OF MYTEE PRODUCTS, INC. IS PROHIBITED.

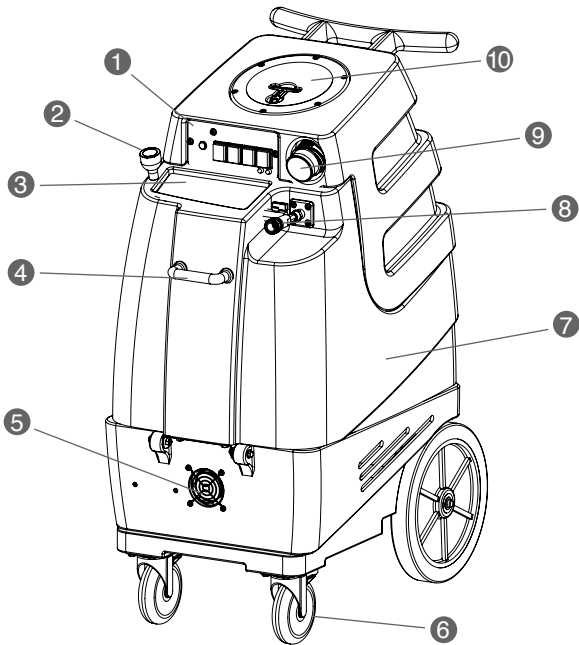
# 1000DX-200 SPEEDSTER WIRING SCHEMATIC

## 1000DX-200 115 Volt System



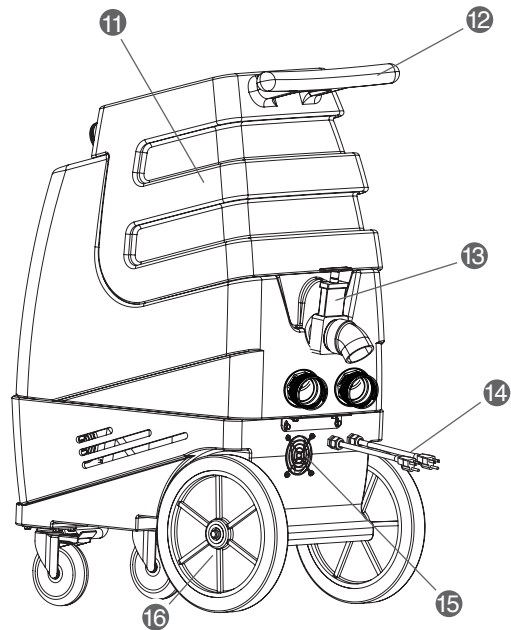


1001DX-200 SPEEDSTER® FRONT



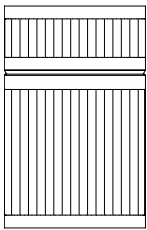
- |                      |                            |
|----------------------|----------------------------|
| 1. Switch plate      | 6. 5" locking casters      |
| 2. Easy faucet fill  | 7. Solution tank           |
| 3. Solution tank lid | 8. Female quick disconnect |
| 4. Front handle      | 9. 2" Male Cuff-Lynx™      |
| 5. Front vent        | 10. Recovery lid           |

1001DX-200 SPEEDSTER® BACK

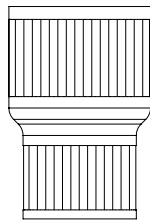


- |                      |                     |
|----------------------|---------------------|
| 11. Recovery tank    | 16. 12" Rear wheels |
| 12. Push handle      |                     |
| 13. Drain valve      |                     |
| 14. Dual power cords |                     |
| 15. Back vent        |                     |

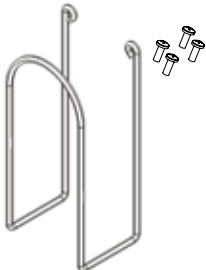
1001DX-200 SPEEDSTER® ITEMS INCLUDED



H110 Cuff-Lynx™  
2" Hose Adapter



H141 Cuff-Lynx™  
2" Hose Reducer to 1.5"



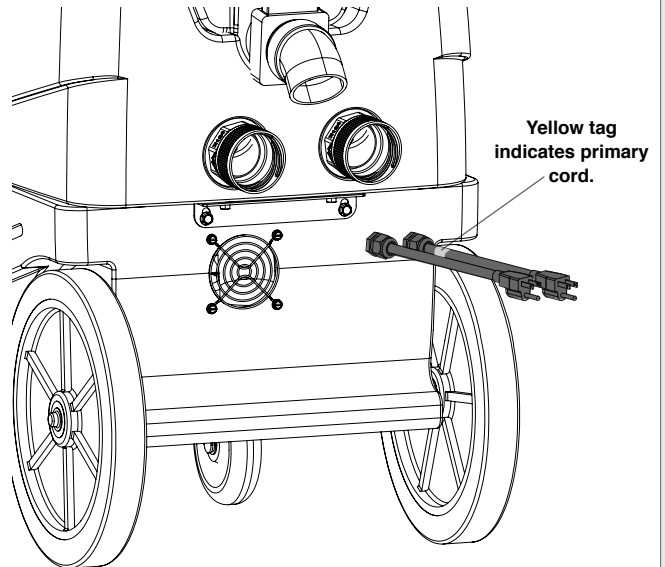
H375- Hose Hanger  
(4) screws



H226 Drain Elbow

1001DX-200 SPEEDSTER® CORDS

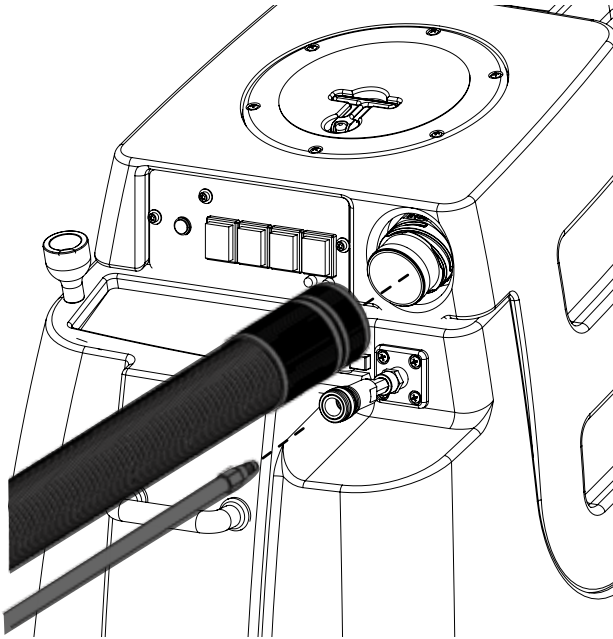
Left cord: Powers Vac 2 & Heater 2.  
Right cord: Powers Vac 1, Heater 1 & Pump.



Plug each power cord into a separate, 20A grounded wall outlet. **Outlets must be on two separate breakers.** When the amber light on the switch plate illuminates, the machine is on separate circuits (not necessarily 20A circuits). You can identify the primary cord by the yellow tag.

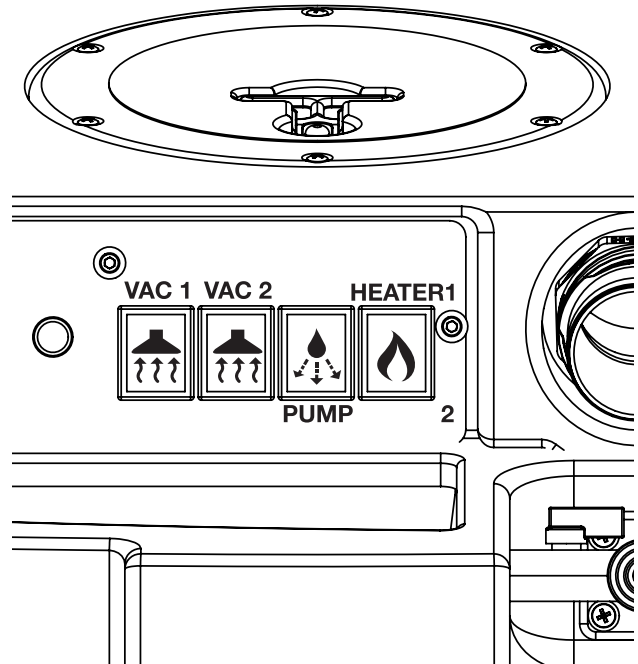
# 1001DX-200 SPEEDSTER

## 1001DX-200 SPEEDSTER® VAC/SOL HOSE CONNECTIONS



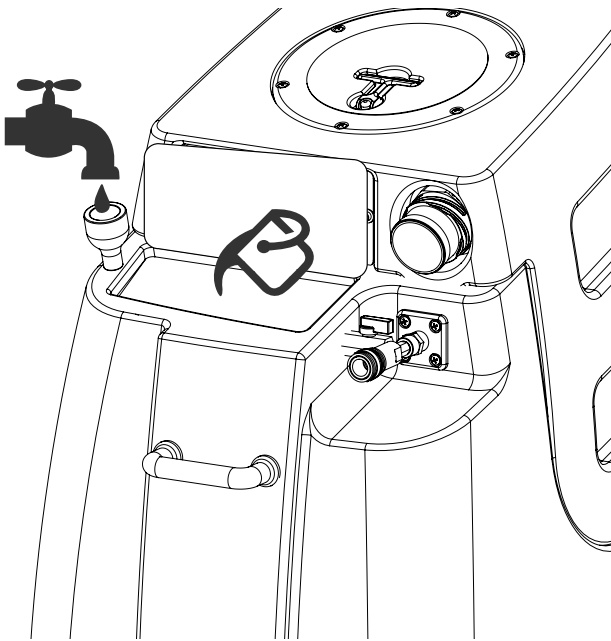
Attach one end of a solution hose to a wand or other tool, the other end to the Speedster's® front quick disconnect. Attach one end of a vacuum hose to the tool, the other end to the Speedster's® Cuff-Lynx™ vacuum hose port.

## 1001DX-200 SPEEDSTER® SWITCHES



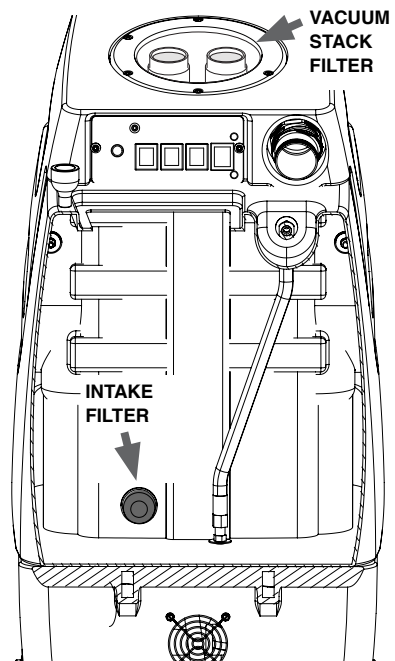
"On" switches are located on the plate in front of the machine. To use vacuums, turn on Vac 1 and Vac 2 switches. To use pump, turn on Pump switch. To activate heat, turn on Heater switch. Heater 1 for 1000 watts of heat. Heater 2 for 2000 watts of heat.

## 1001DX-200 SPEEDSTER® FILL SOLUTION TANK



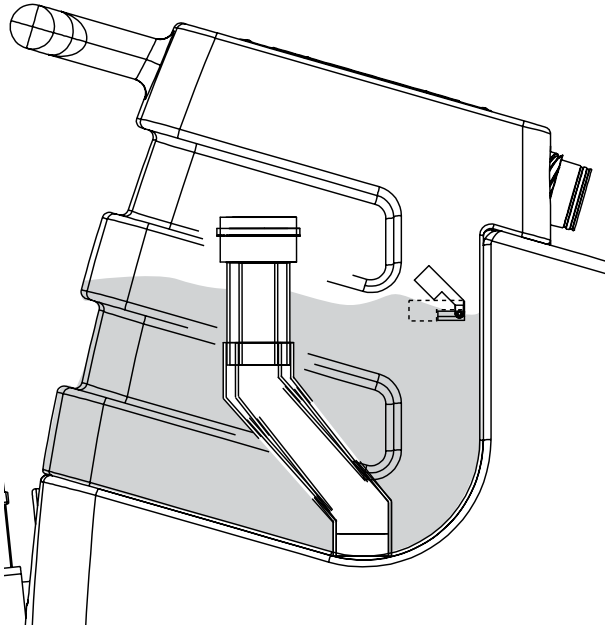
Lift lid and manually fill the solution tank or use the easy faucet fill.

## 1001DX-200 SPEEDSTER® FILTER MAINTENANCE



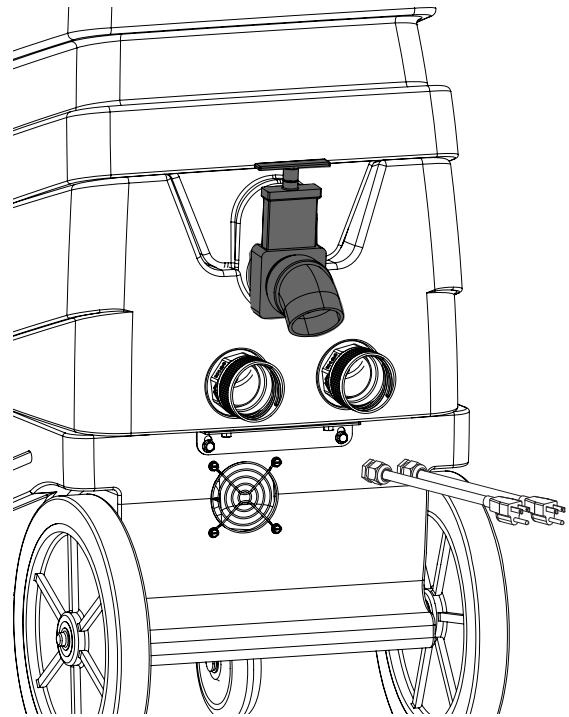
Check and clean the vacuum stack filters and solution tank filter daily by twisting off, rinsing with clean water and replacing.

## 1001DX-200 SPEEDSTER® FLOAT SWITCH



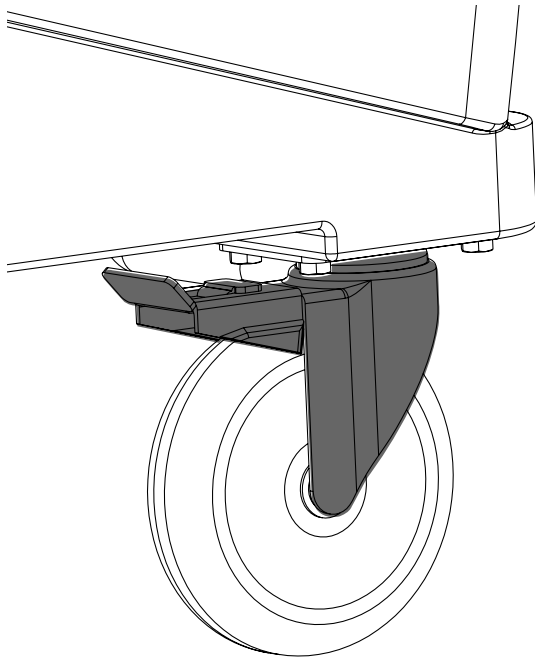
The Speedster® is equipped with an electronic float switch inside the recovery tank. The recovery float switch is activated by rising water to prevent suction into the vacuum stacks damaging the motors.

## 1001DX-200 SPEEDSTER® DUMP VALVE



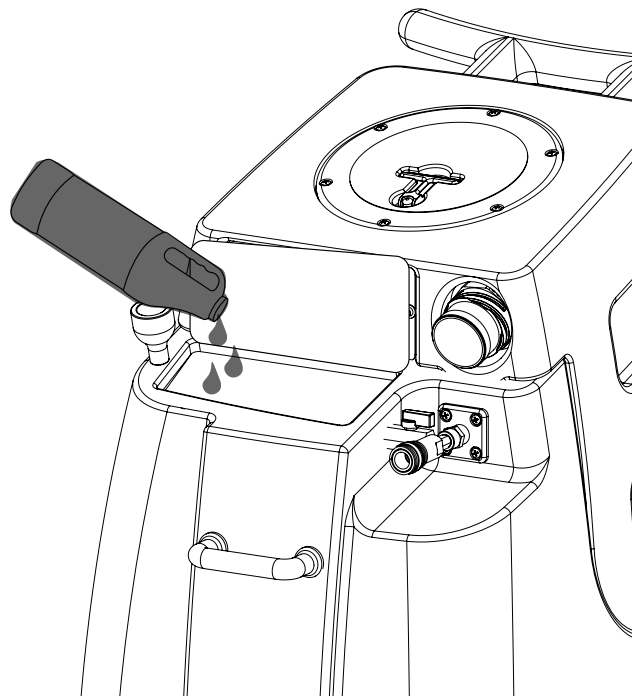
Attach the 45° drain elbow to the drain spout in back. Lift up the dump valve and empty the tank.

## 1001DX-200 SPEEDSTER® LOCKING CASTERS



Locking casters help keep the machine remain stationary during use.

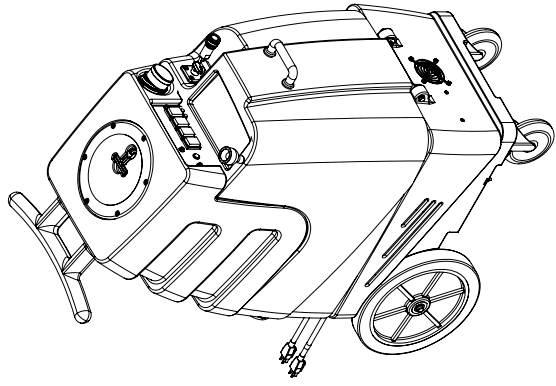
## MYTEE® SYSTEM MAINTAINER



Weekly flushing of the solution system with Mytee® System Maintainer helps keep lines clean and prevents chemical build-up, improving pump life, performance and pressure.

# 1001DX-200 SPEEDSTER PARTS & PRICING

ITEM NO.	PART NO.	DESCRIPTION	QTY.	MSRP	ITEM NO.	PART NO.	DESCRIPTION	QTY.	MSRP
1	C317	fan, cooling, 115V	1	\$21.49 ea	63	B656	ball valve, 1/4"	1	\$13.49 ea
2	H343	screw, #10 x 5/8" hex head, zinc	12	\$0.99 ea	64	B109	adapter, brass, 1/4" barb x 1/4" mpt	1	\$1.99 ea
3	H296	guard, cooling fan, wire	3	\$2.99 ea	65	B170	ferrule, 1/4" brass	2	\$0.99 ea
4	H186	screw, 10-32 x 3/4", phil flat full thread	2	\$0.99 ea	66	PH634-20	sol hose, 1/4", silicone braided, clear	1	\$6.49 ft
5	E370	controller, water level, dual pump or vac	1	\$94.99 ea	67	H485	handle, breeze and dx	1	\$6.99 ea
6	H273	nut, kep. #10-32 zinc	10	\$0.99 ea	68	H201	bolt, 1/4-20 x 1/2", hex head, zinc	2	\$0.99 ea
7	H216	nut, lock, 1/4-20 nylon insert, s/s	10	\$0.99 ea	69	H378	bracket, front hinge, sp/fb	1	\$8.99 ea
8	H210	washer, 1/4" flat, s/s	22	\$0.99 ea	70	H316	bolt, 1/4x1-1/2", hex head zinc	2	\$0.99 ea
9	H342	bolt, 1/4-20 x 1" hex head, s/s	8	\$0.99 ea	71	B119A	filter, strainer, 1/2"	1	\$6.49 ea
10	H666	caster, 5", Black hub & gray tread	2	\$23.19 ea	72	B210	bushing, brass, 1/2"mpt x 3/8" fpt, hex	1	\$2.49 ea
11	P731	base, speedster	1	\$141.99 ea	73	B216	nipple, brass, 3/8" x close	1	\$1.99 ea
12	H371	axle, 18.03" x .50" dia	4	\$9.99 ea	74	H226	spout, drain, 45 degree	1	\$3.19 ea
13	H254	washer, axle, cut 1/2" id	4	\$0.99 ea	75	H225	valve, drain, 1-1/2"	1	\$190.99 ea
14	H251	wheel, 12"	2	\$41.99 ea	76	P733	vac tank, speedster	1	\$20.99 ea
15	H219	cap, axle, 1/2"	2	\$0.99 ea	77	A926	elbow, inlet assembly 2"	1	\$15.99 ea
16	AH105	hose, pulse, 3/8" x 17-1/2", (OAL), f	1	\$31.99 ea	78	PH633-4	pipe, pvc, 1-1/2"	2	\$4.99/ft
17	AH156	hose, 3/8", (OAL), f x fs, 5400 gray	1	\$23.99 ea	79	PH633-03	pipe, pvc, 1-1/2"	2	\$4.99/ft
18	B103	elbow, brass, 90 deg, 1/4"mpt x 1/4" fpt	2	\$4.49 ea	80	PH633-06	PIPE, 1-1/2" x 6" PVC	2	\$4.99 ft
19	H256	screw, 10-32 x 3/4" phil pan head, zinc	6	\$0.99 ea	81	P502	adapter, 1.5" pvc, fslip x fslip	2	\$5.00 ea
20	H528	bracket, heater mounting, dual	1	\$29.99 ea	82	G097	screen, mesh filter, 1-1/2" dia	2	\$4.99 ea
21	E519	heating rod, 1000W, 115V	2	\$51.99 ea	83	G022	filter, foam, 2-3/8" x 1"	2	\$2.99 ea
22	B142	coupling, brass, 1/4" fpt x 1/4" fpt	2	\$4.49 ea	84	PH633-1	pipe, pvc, 1-1/2"	2	\$4.99 ft
23	B108	valve, brass, 1/4" check	1	\$13.99 ea	85	G091	gasket, 7", vac lid	1	\$11.99 ea
24	H274	screw, 6 x 3/16, phil pan head, self-tapping	10	\$0.99 ea	86	G090	lid, vac tank, clear, 7"	1	\$36.99 ea
25	H903A	heater, aluminum cast, single	2	\$78.99 ea	87	H304	screw, #8 x 5/8 phil oval, s/s	6	\$0.99 ea
26	E574	Thermostat, 200", Auto, 1/4"	2	\$16.49 ea	88	P503	adapter, 1.5" pvc, 45 deg, fslip x fslip	4	\$3.29 ea
27	E573	Thermostat, 310°F ± 10°F, Manual, 1/4"	2	\$17.99 ea	89	P520	adapter, pvc, 1-1/2" mpt x 1-1/2" fms	2	\$2.99 ea
28	AH120	sol hose, 28" x 1/4", 1/4" fpt	2	\$35.49 ea	90	H314	nut, lock, 1-1/2", steel	2	\$1.99 ea
29	H221	nut, lock, 1/2" steel	2	\$1.99 ea	91	G083	gasket, 2" inlet	1	\$2.49 ea
30	H220	fitting, strain relief, cord	2	\$3.19 ea	92	H135	Cuff-Lynx, 2" m cuff x 2" mpt	1	\$3.99 ea
31	E550	power cord, pigtail, 30', 12/3, black	2	\$11.49 ea	93	E511	light, red, 250v	2	\$5.99 ea
32	PH615-26	sol hose, 1/2" kuri 100psi	1	\$8.99/ft	94	E516	switch, rocker, 3 position	1	\$14.99 ea
33	B160	adapter, brass, 1/2" barb x 3/8" fsw, ball end	1	\$3.49 ea	95	E515	switch, rocker, 2 position	3	\$13.99 ea
34	B186	elbow, brass, 90 deg, 3/8"mpt x 3/8" fmp	1	\$8.99 ea	96	E512B	light, indicator, 125v (amber)	1	\$9.99 ea
35	B136	elbow, brass, 90 deg, 1/4" mpt x 1/4" mpt	1	\$4.99 ea	97	H389	screw, 10-32 x 1/2" SHCS, alloy	4	\$0.99 ea
36	B105	bushing, brass, 3/8"mpt x 1/4"	1	\$3.19 ea	98	H612	Washer, #8, flat regular	3	\$0.99 ea
37	H299	washer, 1/16" id x 1/2" od x .075, s/s	4	\$0.99 ea	99	H348	plate, switch, 1000DX-200	1	\$6.99 ea
38	H222	screw, 10-32 x 1-1/4" phil pan head, s/s	4	\$0.99 ea	100	B156	nut, 1/4" mpt	1	\$1.99 ea
39	C322D	pump, 220psi, diaphragm, 115V	1	\$208.99 ea	101	H212	flat washer, 9/16" ID x 1 1/16" OD	2	\$0.99 ea
40	B172	elbow, brass, 90 deg, 1/2" barb x 3/8" mpt	1	\$9.49 ea	102	E373	level switch, vacuum shut-off, rear threads	1	\$13.99 ea
41	B173	ferrule, 1/2", brass	2	\$0.99 ea	103	B207	elbow, brass, 90 deg, 1/4" fpt x 1/4" fpt	1	\$5.99 ea
42	H912	bracket, rear, fb/spy	1	\$9.99 ea	104	H390A	bracket, "L"	2	\$6.99 ea
43	H770	bolt, 1/4-20 x 1/2" serrated hex flange, zinc	8	\$0.99 ea	105	H096	bolt, hex, 1/4-20 x 4", zinc Finish	6	\$0.99 ea
44	H307	washer, star, 1/4" steel zinc	2	\$0.99 ea	106	H503	vac support, 3 stage, 3.25", no thdrs	6	\$3.99 ea
45	G052	washer, buna 1-1/8" od x 3/16" id	6	\$1.99 ea	107	C302LA	vac motor, 3 stage, low amp	2	\$139.99 ea
46	H211	washer, 1/4" id x 1" od, flat, s/s	6	\$0.99 ea	108	G004	gasket, vacuum motor	2	\$8.99 ea
47	H203	bolt, 1/4-20 x 1-1/4"	2	\$0.99 ea	109	E564	controller, circuit light	1	\$62.99 ea
48	H124	Cuff-Lynx, 2" mpt x 2" female cuff	2	\$3.99 ea					
49	H194	coupler, 2" dia x 2.5" length, s/s	2	\$10.00 ea					
50	H217	clamp, hose, 2-1/4 dia	4	\$1.49 ea					
51	PH628-15	vac hose, 2", wire reinforced	2	\$8.99/ft					
52	H213	washer, 1/4" locks, s/s	10	\$0.99 ea					
53	H215	nut, hex, 1/4-20 s/s	2	\$0.99 ea					
54	G018	cover, sol tank (sp)	1	\$12.99 ea					
55	PH612-36	clear tubing, 1/2" OD x 3/8" ID, faucet fill	1	\$1.99/ft					
56	H178	faucet fill	1	\$10.99 ea					
57	P732	sol tank, speedster	1	\$141.99 ea					
58	H768	bolt, 1/4-20 x 3/4" serrated hex flange, zinc	2	\$0.99 ea					
59	B107	nipple, brass, 1/4" m, hex	3	\$3.19 ea					
60	H484	plate, mounting, OD	1	\$4.99 ea					
61	B135	tee, brass, 1/4" mpt	1	\$5.49 ea					
62	B102	qd, brass, 1/4" f x 1/4" fpt	1	\$17.99 ea					



ITEMS NOT SHOWN

PART NO.	DESCRIPTION	QTY.	MSRP
G008	piglet filter	1	\$6.29 pak
G085	gasket, strip, 3/4" x 3/6" x 1/8"	1	\$4.99 ea
H375	hanger, wire formed, hose	1	\$10.99 ea
H230	screw, 10-32 x 1/2" phil pan head, s/s	2	\$0.99 ea
H141	Cuff-Lynx, 2" x 1.5" reducer	1	\$3.99 ea
H110	Cuff-Lynx, 2" hose x 2" fem swivel Cuff-Lynx	1	\$3.99 ea
E530	power cond. ext. 50', 12/3 black	2	\$74.99 ea

mytee PRODUCTS, INC.  
888.673.191

DATE: 10/2013

NAME: M. Lukashin

DRAWN: M. Lukashin

CHECKED:

TITLE: speedster

SIZE: DWG. NO. C 1001DX-200 REV C

SCALE: 1:48

QUANTITY: 1

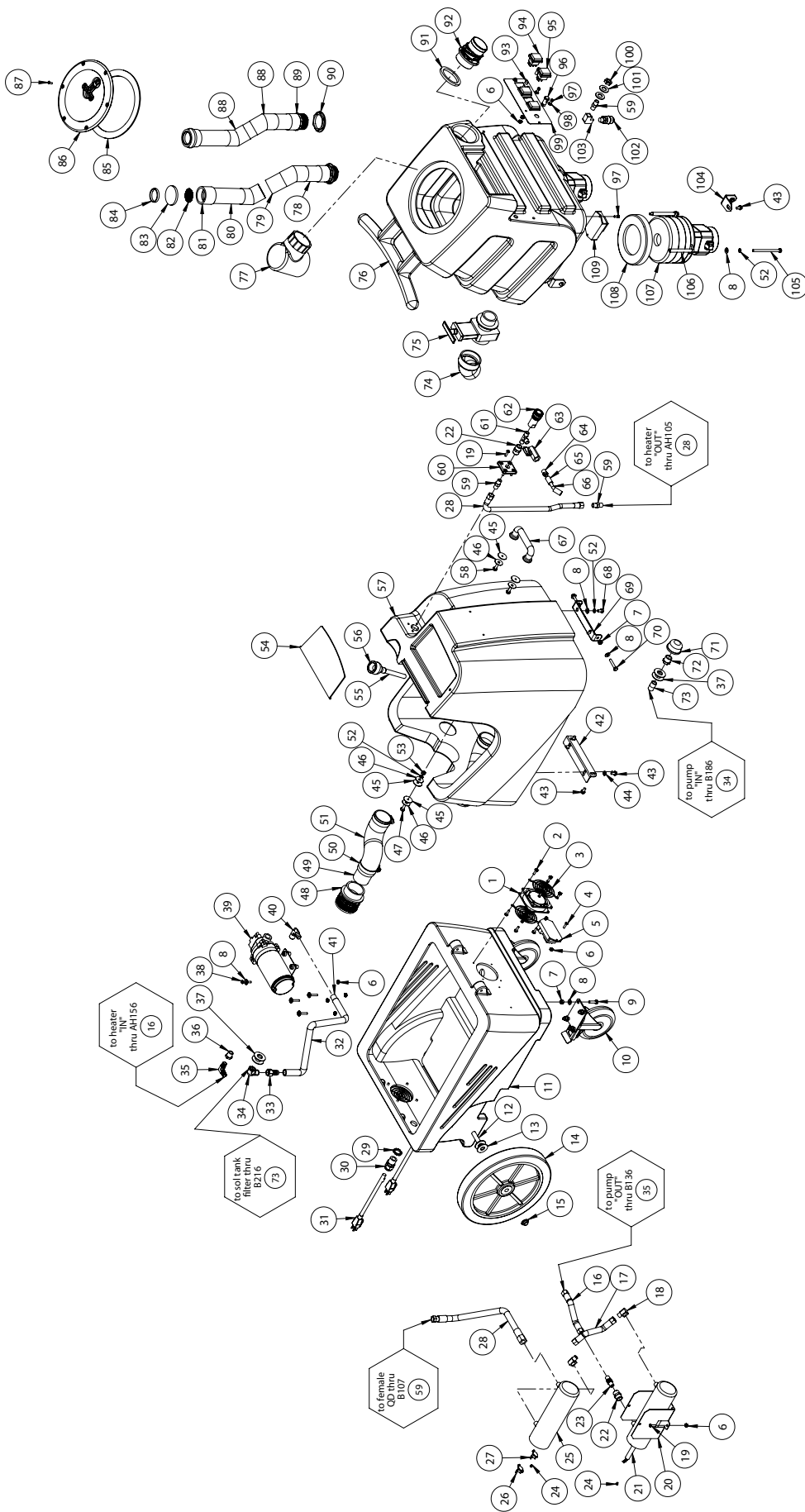
SHEET 1 OF 3

PROPERTY AND CONFIDENTIAL INFORMATION CONTAINED HEREIN IS THE PROPERTY OF MYTEE PRODUCTS, INC. ANY UNAUTHORIZED REPRODUCTION WITHOUT THE WRITTEN PERMISSION OF MYTEE PRODUCTS, INC. IS PROHIBITED.

Order parts at: [www.mytee.com/products/product.php?id=1001DX](http://www.mytee.com/products/product.php?id=1001DX)

Part prices are subject to change.

# 1001DX-200 SPEEDSTER PARTS & PRICING

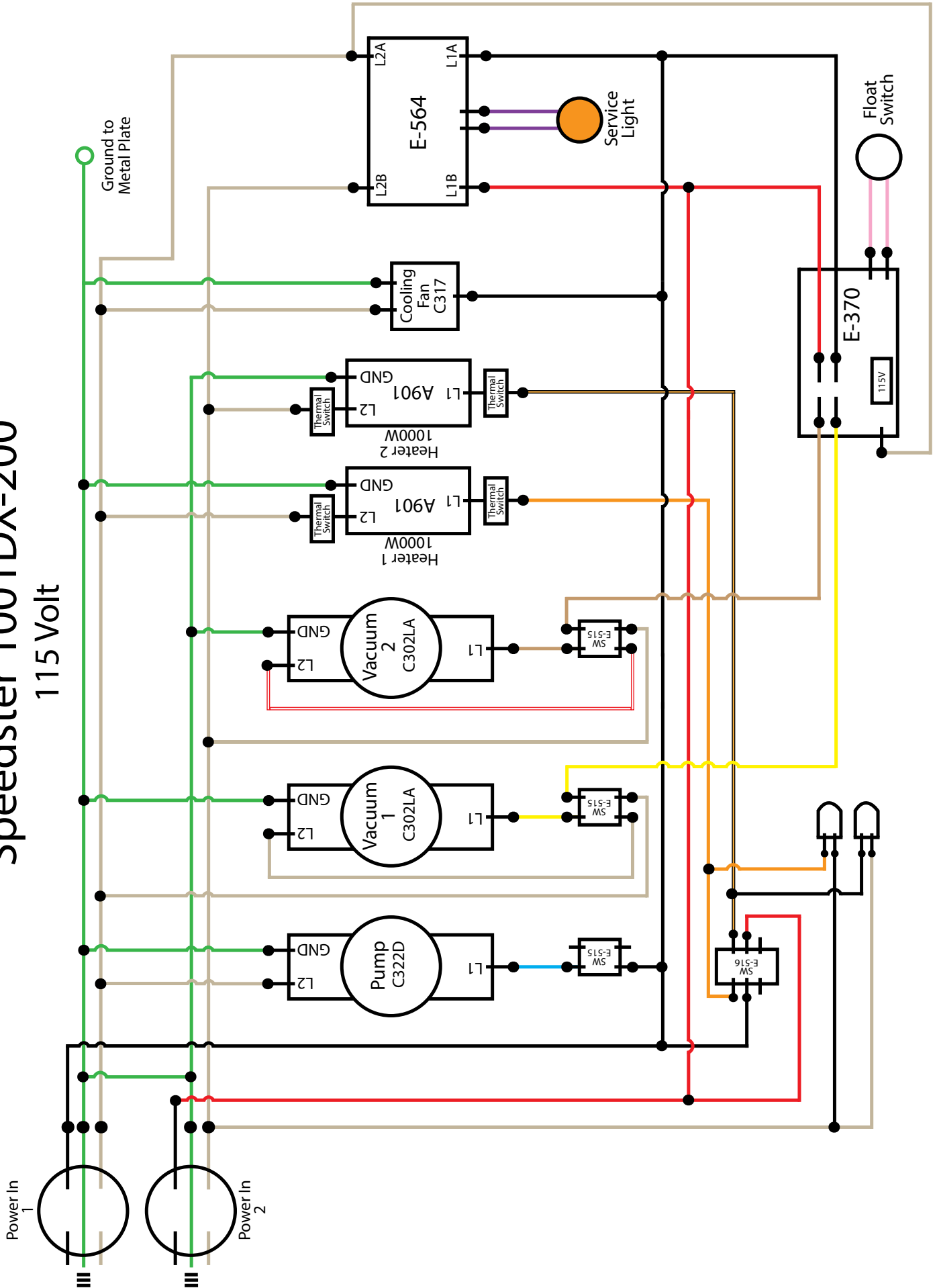


DATE	10/2013
NAME	MLB/Babush
mytee PRODUCTS, INC.	885521391
TITLE: speedster	
SIZE DWG. NO.	REV
C 1001DX-200	C
SCALE: 1:48	SHEET 2 OF 3

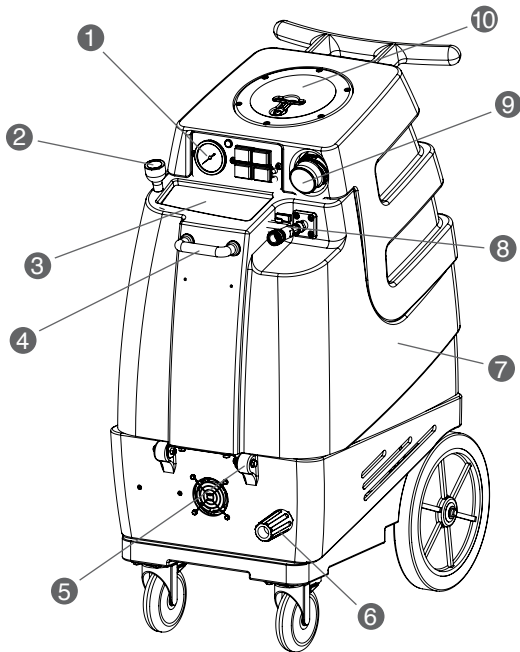
PROHIBITION AND CONFIDENTIALITY: THIS DRAWING IS THE SOLE PROPERTY OF MYTEE PRODUCTS, INC. AND IS TO BE USED ONLY AS A REFERENCE. REPRODUCTION OR DISSEMINATION OF THIS DRAWING WITHOUT THE WRITTEN PERMISSION OF MYTEE PRODUCTS, INC. IS PROHIBITED.

# 1001DX-200 SPEEDSTER WIRING SCHEMATIC

## Speedster 1001DX-200 115 Volt

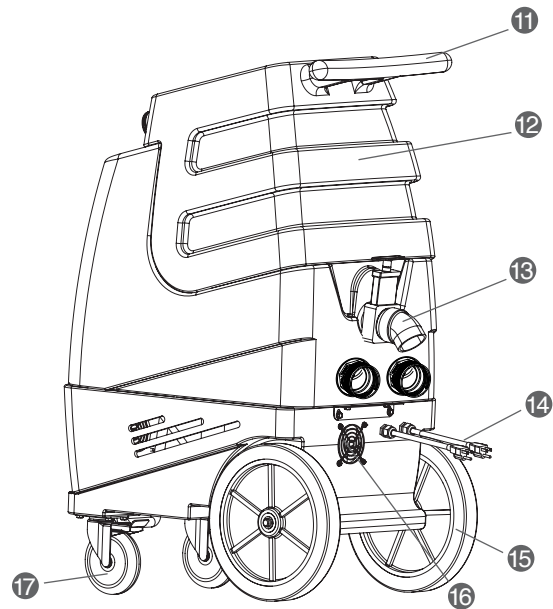


## 1003DX SPEEDSTER® FRONT



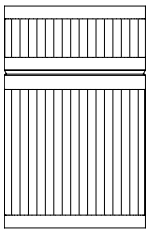
- |                      |                               |
|----------------------|-------------------------------|
| 1. Switch plate      | 6. Pressure Regulator         |
| 2. Easy Faucet Fill  | 7. Solution tank              |
| 3. Solution lid      | 8. Female QD with Prime Valve |
| 4. Front handle      | 9. 2" Male Cuff-Lynx™         |
| 5. Front cooling fan | 10. Recovery lid              |

## 1003DX SPEEDSTER® BACK

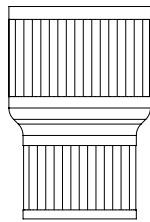


- |                      |                        |
|----------------------|------------------------|
| 11. Push handle      | 16. Back vent          |
| 12. Recovery tank    | 17. 5" locking casters |
| 13. Drain valve      |                        |
| 14. Dual Power cords |                        |
| 15. 12" Rear wheels  |                        |

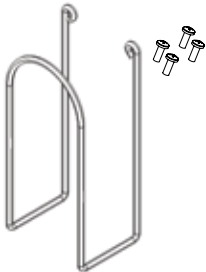
## 1003DX SPEEDSTER® ITEMS INCLUDED



H110 Cuff-Lynx™  
2" Hose Adapter



H141 Cuff-Lynx™  
2" Hose Reducer to 1.5"



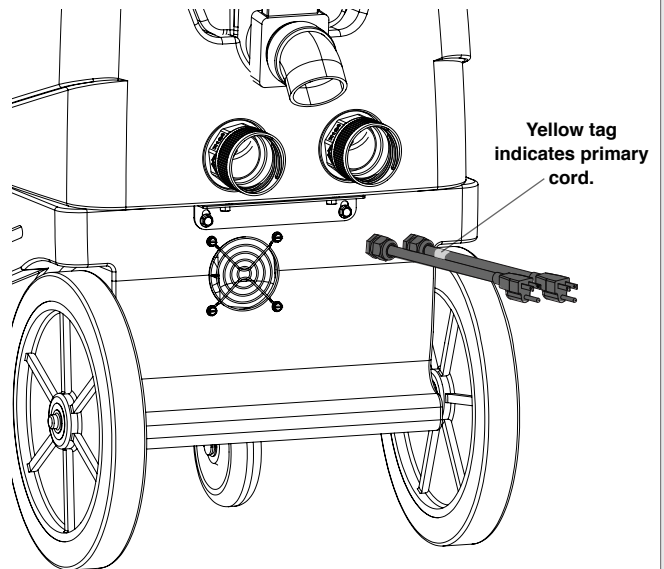
H375- Hose Hanger  
(4) screws



H226 Drain Elbow

## 1003DX SPEEDSTER® CORD

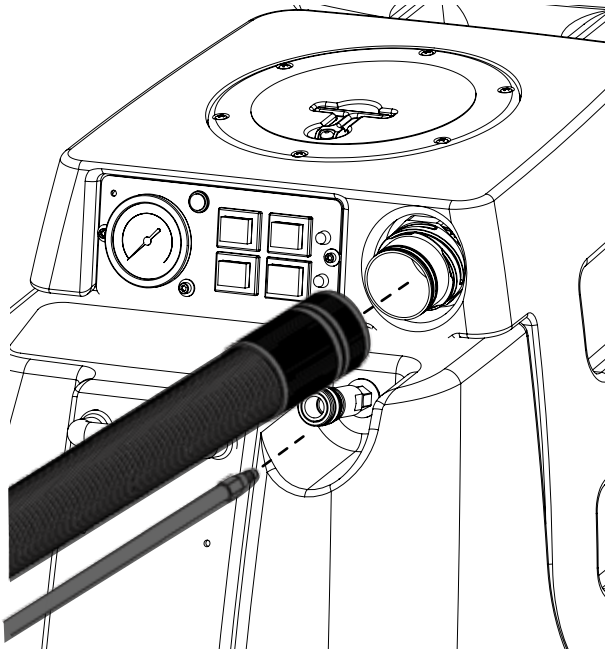
**Left cord: Powers Vac 2 & Heater 2.**  
**Right cord: Powers Vac 1, Heater 1 & Pump.**



Plug each power cord into a separate, 20A grounded wall outlet. **Outlets must be on two separate breakers.** When the amber light on the switch plate illuminates, the machine is on separate circuits (not necessarily 20A circuits). You can identify the primary cord by the yellow tag.

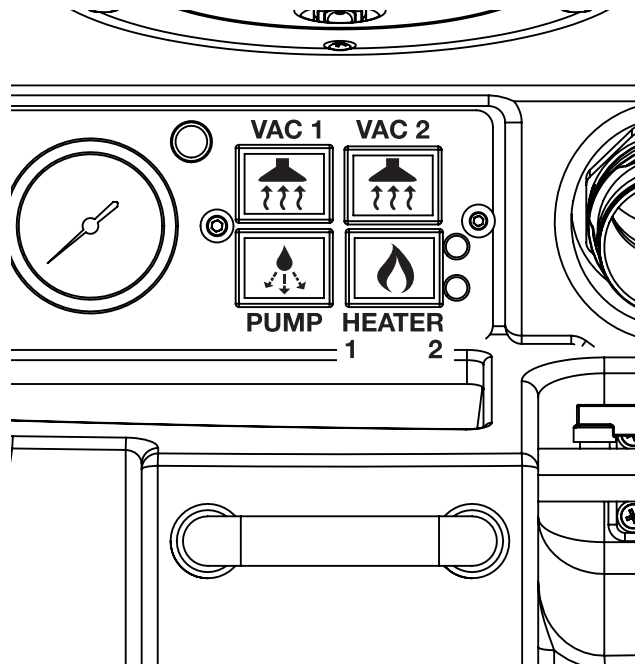
# 1003DX SPEEDSTER

## 1003DX SPEEDSTER® VAC/SOL HOSE CONNECTIONS



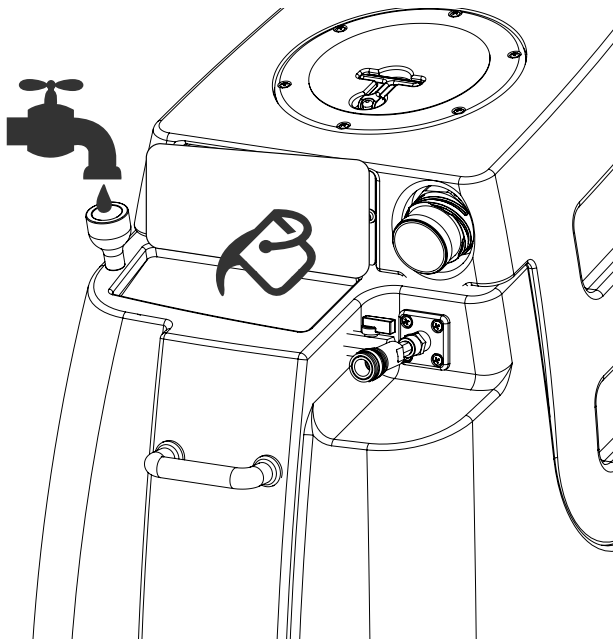
Attach one end of a solution hose to a wand or other tool, the other end to the Speedster's® front quick disconnect. Attach one end of a vacuum hose to the tool, the other end to the Speedster's® Cuff-Lynx™ vacuum hose port.

## 1003DX SPEEDSTER® SWITCHES



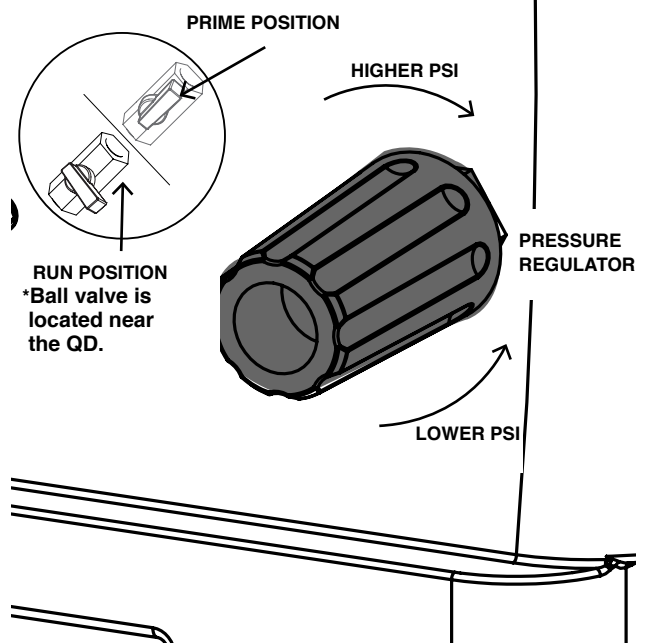
"On" switches are located on the plate in front of the machine. To use vacuums, turn on Vac 1 and Vac 2 switches. To use pump, turn on Pump switch. To activate heat, use lower right switch. Press to the left for 1,000 watts, press to the right for 2,000 watts.

## 1003DX SPEEDSTER® FILL SOLUTION TANK



Lift lid and manually fill the solution tank or use the easy faucet fill.

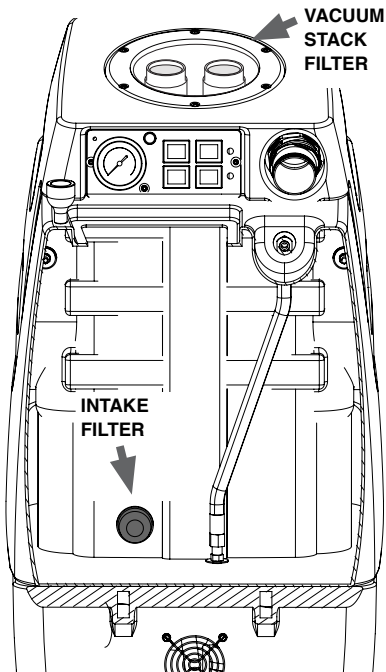
## 1003DX SPEEDSTER® PRIME VALVE & PRESSURE REGULATOR



Prime the pump by turning the valve to the Prime position (as shown above) for 30 seconds, then turn right to the Run position. Turn the Pressure Regulator to the left to decrease water pressure. Turn the Pressure Regulator to the right to increase water pressure.

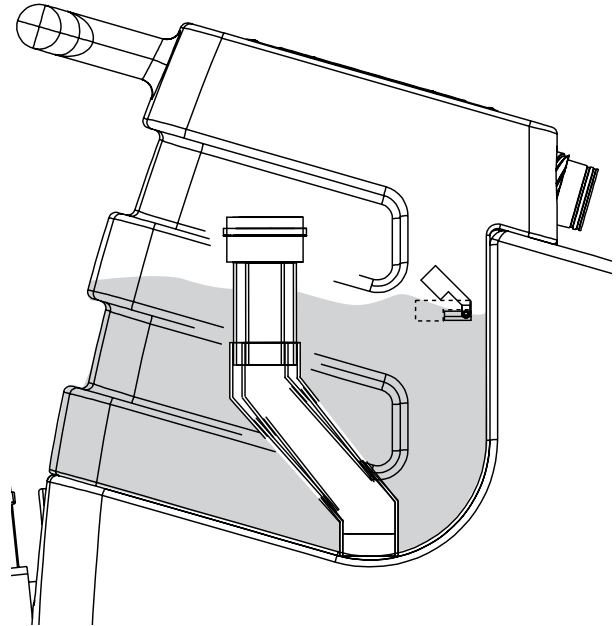


## 1003DX SPEEDSTER® FILTER MAINTENANCE



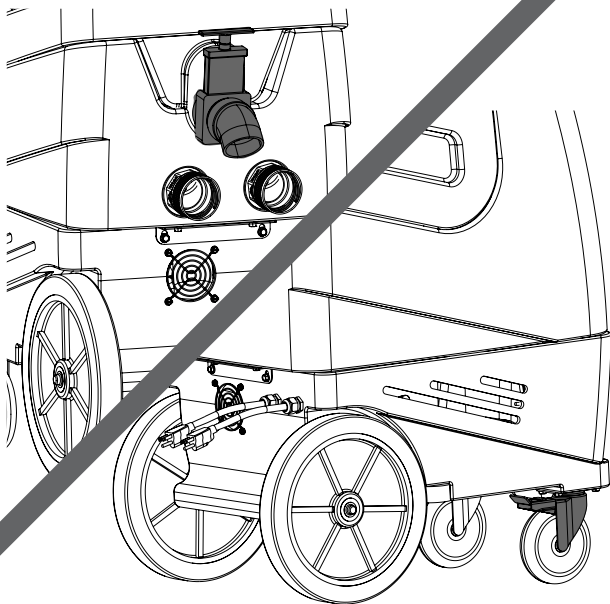
Check and clean the vacuum stack filters and solution tank filter daily by twisting off, rinsing with clean water and replacing.

## 1003DX SPEEDSTER® FLOAT SWITCH



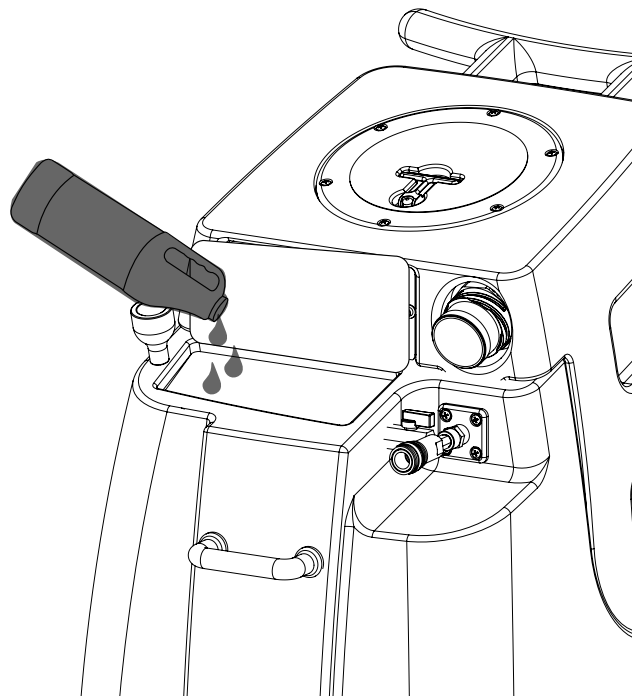
The Speedster® is equipped with an electronic float switch inside the recovery tank. The recovery float switch is activated by rising water to prevent suction into the vacuum stacks damaging the motors.

## 1003DX SPEEDSTER® DUMP VALVE & LOCKING CASTERS



Above, empty the recovery tank by attaching the 45° drain elbow to the drain spout in back. Lift up the dump valve and empty the tank. Below, locking casters help keep the machine remain stationary during use.

## MYTEE® SYSTEM MAINTAINER

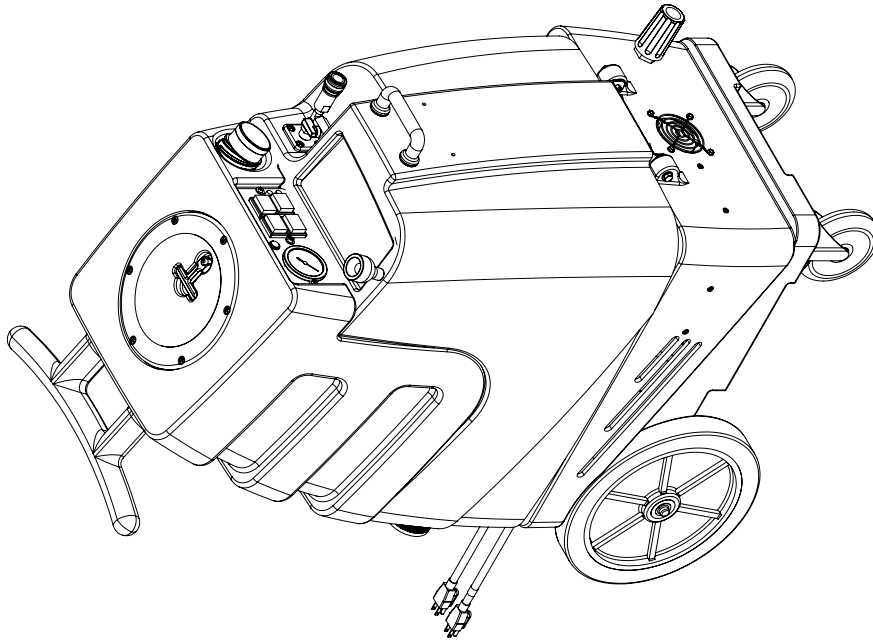


Weekly flushing of the solution system with Mytee® System Maintainer helps keep lines clean and prevents chemical build-up, improving pump life, performance and pressure.

# 1003DX SPEEDSTER PARTS & PRICING

ITEMS NOT SHOWN

PART NO.	DESCRIPTION	QTY.	MSRP
G008	piglet fillet	1	\$6.29 ea
G085	gasket, strip, 3/4" x 36" x 1/8"	1	\$4.99 ea
H375	hanger, wire formed hose	1	\$10.99 ea
H230	screw, 10-32 x 1/2" phl pan head, s/s	2	\$0.99 ea
E530	Cuff-Lynx, 2" to 1.5" reducer	2	\$3.99 ea
H110	power cord, ext 50', 12/3 black	1	\$74.99 ea
AD127	Cuff-Lynx, 2" hose x 2" fern swivel Cuff-Lynx stop sign, register your product	1	\$3.99 ea
ADM-SPEEDSTERS	manual, speedsters	1	



ITEM NO.	PART NO.	DESCRIPTION	QTY.	MSRP
70	H484	plate, mounting, OD	1	\$4.99 ea
71	B142	coupling, brass, 1/4" fip x 1/4" fip	1	\$4.99 ea
72	B135	tee, brass, 1/4" mpt	1	\$5.49 ea
73	B102	qd. brass, 1/4" fip	1	\$17.99 ea
74	B656	ball valve, 1/4"	1	\$13.49 ea
75	B109	adapter, brass, 1/4" barb x 1/4" mpt	1	\$1.99 ea
76	PH634-36	sol hose, 1/4", 300 PSI	1	\$6.49 ft
77	H485	handle, breeze and zinc	1	\$6.99 ea
78	H816	bolt, 1/4"-1/2", hex head zinc	2	\$0.99 ea
79	H378	bracket, front hinge, sp/ib	1	\$8.99 ea
80	H201	bolt, 1/4"-20 x 1/2", hex head, zinc	2	\$0.99 ea
81	H299	washer, 1/16" OD x 1/2" OD x .075, s/s	4	\$0.99 ea
82	B216	nipple, brass, 3/8" x close	1	\$1.99 ea
83	B210	bushing, brass, 1/2" mpt x 3/8" fip, hex	1	\$2.49 ea
84	B19A	filter, strainer, 1/2"	1	\$6.49 ea
85	H314	nut, lock, 1-1/2", steel	2	\$1.99 ea
86	P520	adapter, pvc, 1-1/2" mpt x 1-1/2" fms	2	\$2.99 ea
87	PH633-4	pipe, pvc, 1-1/2"	2	\$4.99/ft
88	PH633-03	pipe, pvc, 1-1/2"	2	\$4.99/ft
89	P502	adapter, 1.5" pvc, fip x fip	2	\$5.00 ea
90	G097	screen, mesh filter, 1-1/2" dia	2	\$4.99 ea
91	G022	filter, foam, 2-3/8" x 1"	2	\$2.99 ea
92	PH633-1	pipe, pvc, 1-1/2"	2	\$4.99 ft
93	PH633-06	PIPE, 1-1/2" x 6' PVC	2	\$4.99 ft
94	P503	adapter, 1.5" pvc, 45 deg, fip x fip	4	\$3.29 ea
95	H426	spout, drain, 45 degree	1	\$3.19 ea
96	H225	valve, drain, 1-1/2"	1	\$2.09 ea
97	P733	vac tank, speedster	1	\$190.99 ea
98	A926	elbow, inlet assembly 2"	1	\$15.99 ea
99	G091	gasket, 7", vac lid	1	\$11.99 ea
102	G090	lid, vac tank, clear, 7"	1	\$3.69 ea
101	H304	screw, #8 x 5/16 phl oval, s/s	6	\$0.99 ea
102	G083	gasket, 2" inlet	1	\$2.49 ea
103	H135	Cuff-Lynx, 2" m cuff, x 2" mpt	1	\$3.99 ea
104	E528	light indicator, 125v (amber)	1	\$9.99 ea
105	H337	plate, switch, 1003DX, 1005DX	1	\$8.99 ea
106	E511	light, red, 250v	2	\$5.99 ea
107	E515	switch, rocker, 2 position	3	\$13.99 ea
108	E516	switch, rocker, 3 position	1	\$8.99 ea
109	H389	screw, 10-32 x 1/2" SHCS, alloy	1	\$0.99 ea
110	H612	Washer, #8, flat regular	3	\$0.99 ea
111	H246	screw, #8-32 x 3/8" SHCS, alloy, black	2	\$0.99 ea
112	H308D	gauge, pressure, 2000 PSI	1	\$38.99 ea
113	AH203	hose pulse, 38" x 3/4"	1	\$47.99 ea
114	B156	nut, 1/4" npt	1	\$1.99 ea
115	H212	flat washer, 9/16" OD x 1 1/16" OD, AN960-C916	2	\$0.99 ea
116	E373	level switch, vacuum shut-off, rear threads	1	\$13.99 ea
117	H303	vac support, 3 stage, 2.25", no threads	6	\$3.99 ea
118	H396	bolt, hex, 1/4"-20 x 4", zinc finish	2	\$0.99 ea
119	C302LA	vac motor, 3 stage, low amp	6	\$130.99 ea
120	G064	gasket, vacuum motor	2	\$8.99 ea

DATE: 10/2011  
 NAME: mytee PRODUCTS, INC.  
 DRAWN: M. LUBBERS  
 CHECKED: R. BROWN  
 COMMENTS:  
 THE INFORMATION CONTAINED HEREIN IS THE PROPERTY OF MYTEE PRODUCTS, INC. AND IS TO BE USED ONLY FOR THE PURCHASE OF PRODUCTS FROM MYTEE PRODUCTS, INC. WITHOUT THE WRITTEN PERMISSION OF MYTEE PRODUCTS, INC.

mytee PRODUCTS, INC.  
 800.979.1111

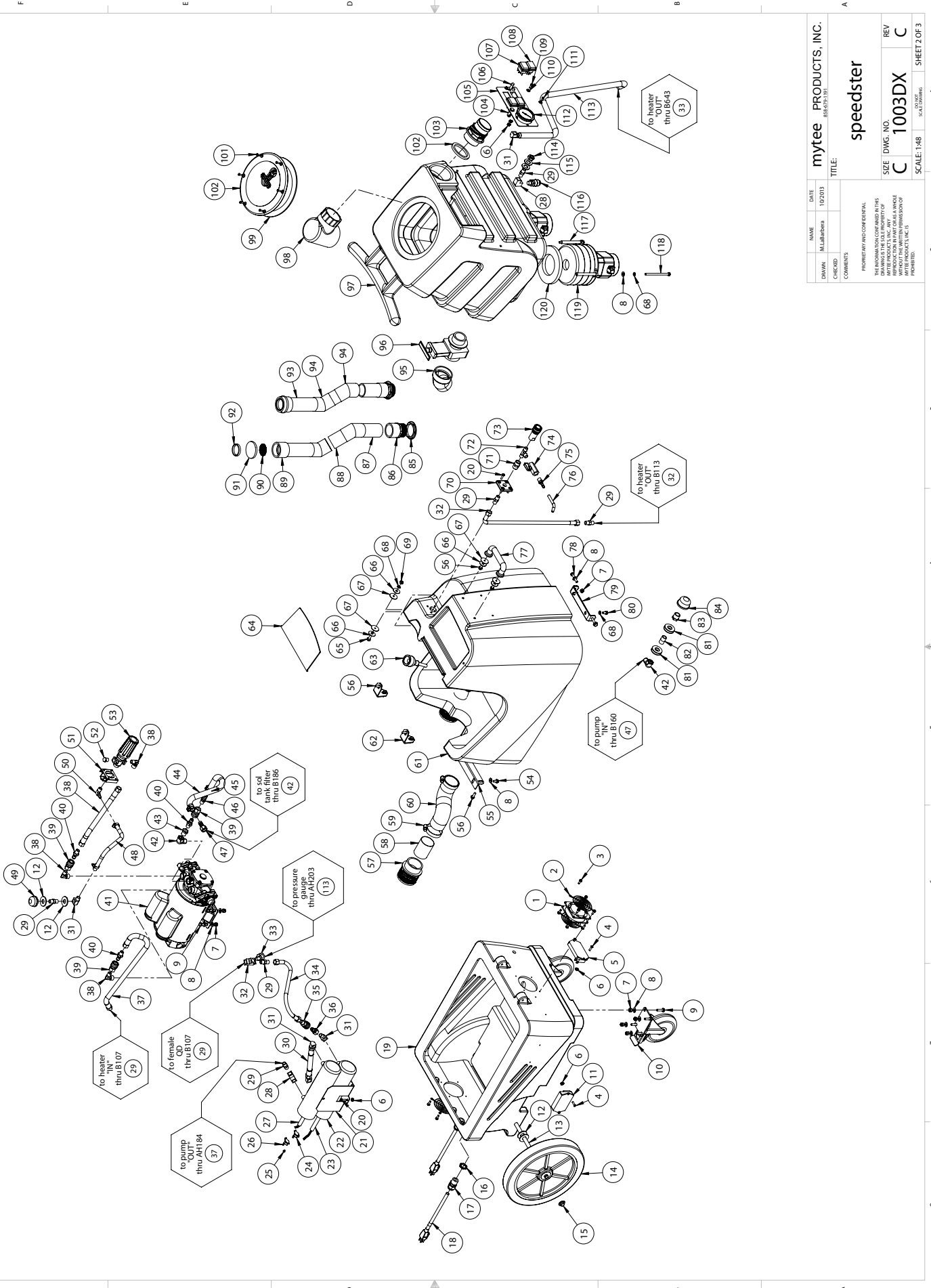
speedster  
 SIZE: DIMS. NO. 1003DX  
 SCALE: 1:48

REV: C  
 SHEET 1 OF 3

Order parts at: [www.mytee.com/products/product.php?id=1003DX](http://www.mytee.com/products/product.php?id=1003DX)

Part prices are subject to change.

# 1003DX SPEEDSTER PARTS & PRICING

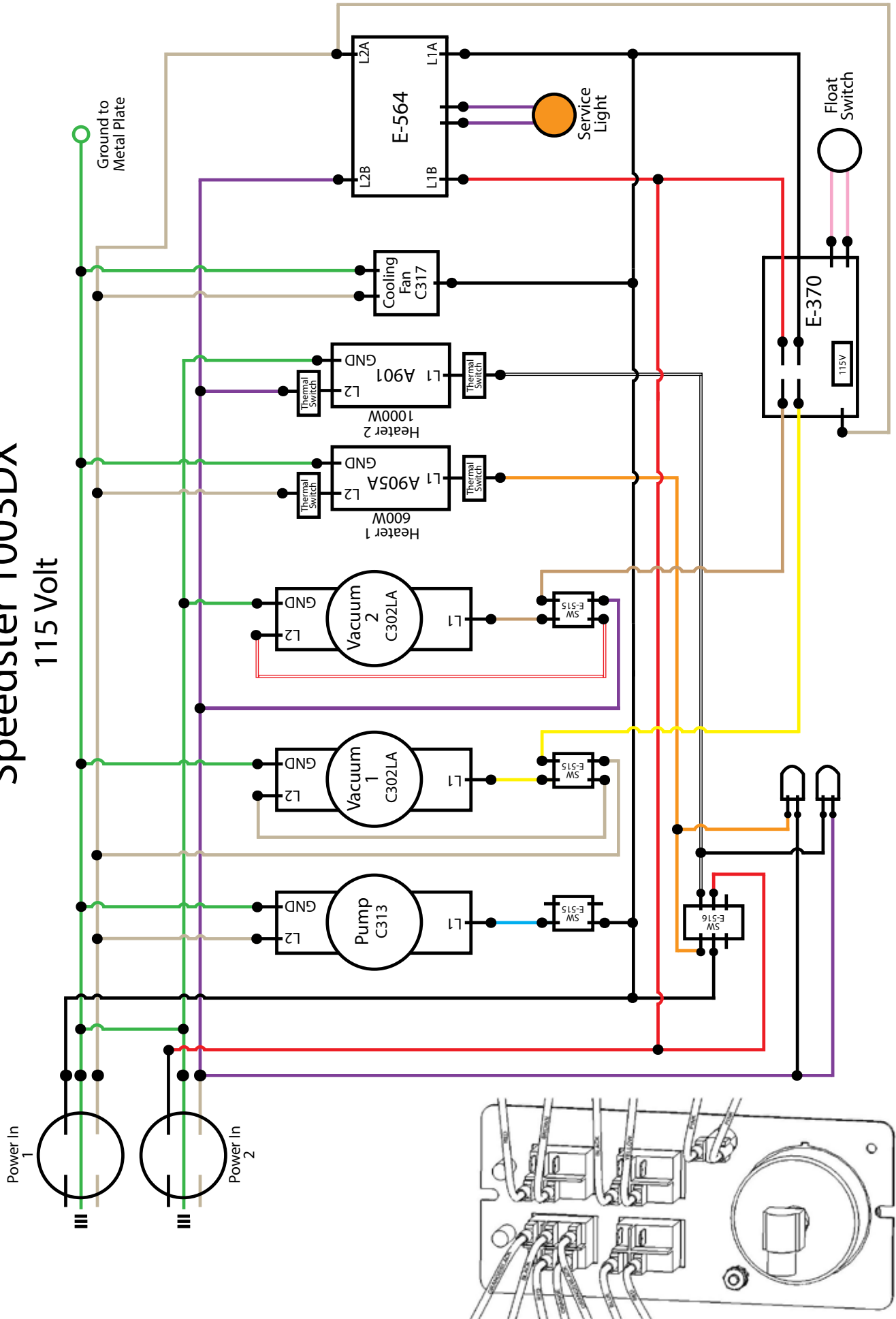


NAME	DATE	mytee PRODUCTS, INC.
DRAWN: M.Lalibon	10/2013	8965021391
CHECKED:		TITLE:
COMMENTS:		speedster
		SIZE DWG. NO. C 1003DX
		REV C
		SCALE: 1:48
		SHEET 2 OF 3

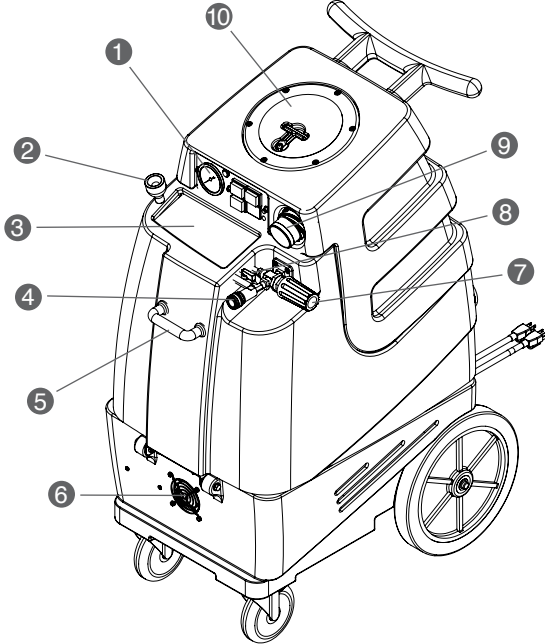
THE INFORMATION CONTAINED IN THIS DRAWING IS THE SOLE PROPERTY OF MYTEE PRODUCTS, INC. ANY REPRODUCTION IN ANY MANNER WITHOUT THE WRITTEN PERMISSION OF MYTEE PRODUCTS, INC. IS PROHIBITED.

# 1003DX SPEEDSTER WIRING SCHEMATIC

## Speedster 1003DX 115 Volt

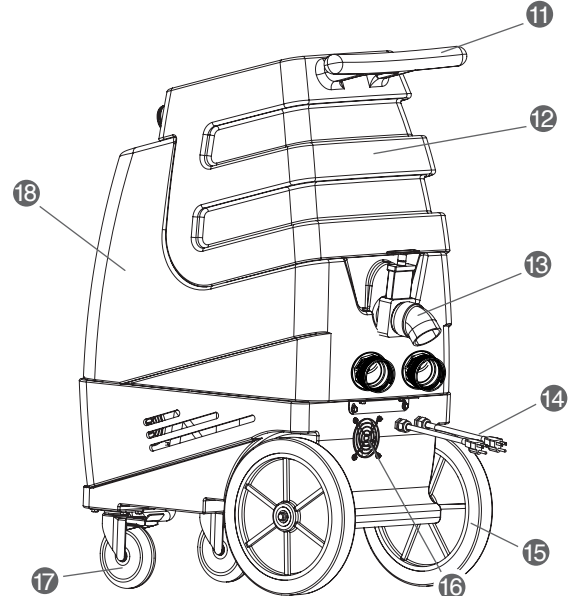


1005DX SPEEDSTER® FRONT



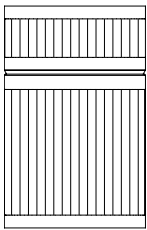
- |                            |                       |
|----------------------------|-----------------------|
| 1. Switch plate            | 6. Front vent         |
| 2. Easy faucet fill        | 7. Pressure Regulator |
| 3. Solution lid            | 8. Prime Valve        |
| 4. Female quick disconnect | 9. 2" Male Cuff-Lynx™ |
| 5. Front handle            | 10. Recovery lid      |

1005DX SPEEDSTER® BACK

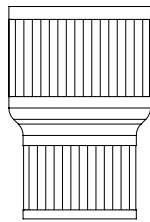


- |                      |                        |
|----------------------|------------------------|
| 11. Push handle      | 16. Back vent          |
| 12. Recovery tank    | 17. 5" locking casters |
| 13. Drain valve      | 18. Solution tank      |
| 14. Dual Power cords |                        |
| 15. 12" Rear wheels  |                        |

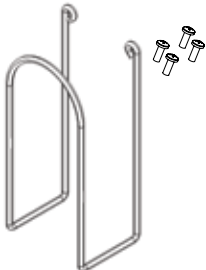
1005DX SPEEDSTER® ITEMS INCLUDED



H110 Cuff-Lynx™  
2" Hose Adapter



H141 Cuff-Lynx™  
2" Hose Reducer to 1.5"



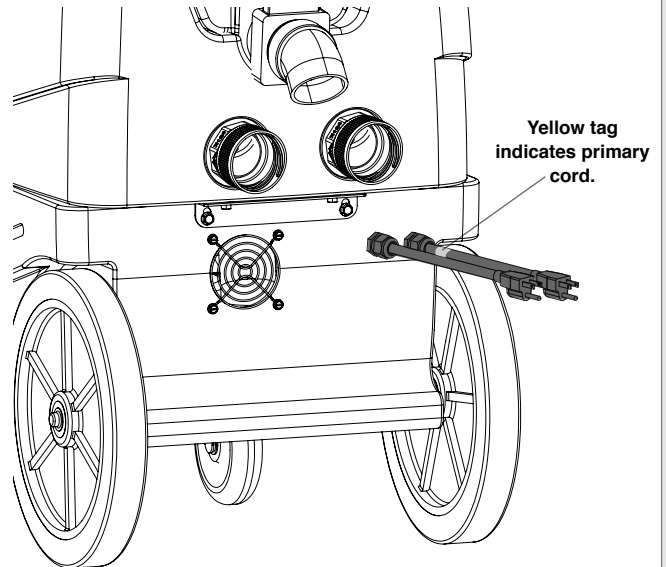
H375- Hose Hanger  
(4) screws



H226 Drain Elbow

1005DX SPEEDSTER® CORD

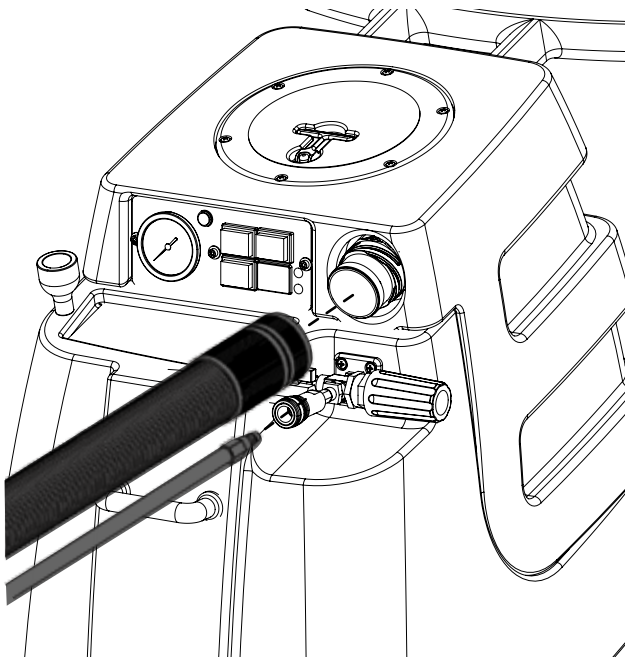
Left cord: Powers power Vac 2.  
Right cord: Powers Vac 1 & Pump.



Plug each power cord into a separate, 20A grounded wall outlet. **Outlets must be on two separate breakers.** When the amber light on the switch plate illuminates, the machine is on separate circuits (not necessarily 20A circuits). You can identify the primary cord by the yellow tag.

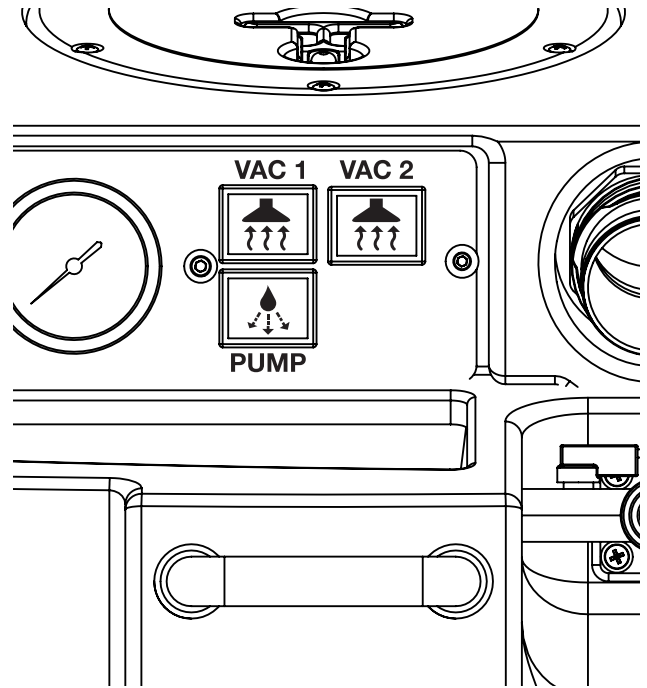
# 1005DX SPEEDSTER

## 1005DX SPEEDSTER® VAC/SOL HOSE CONNECTIONS



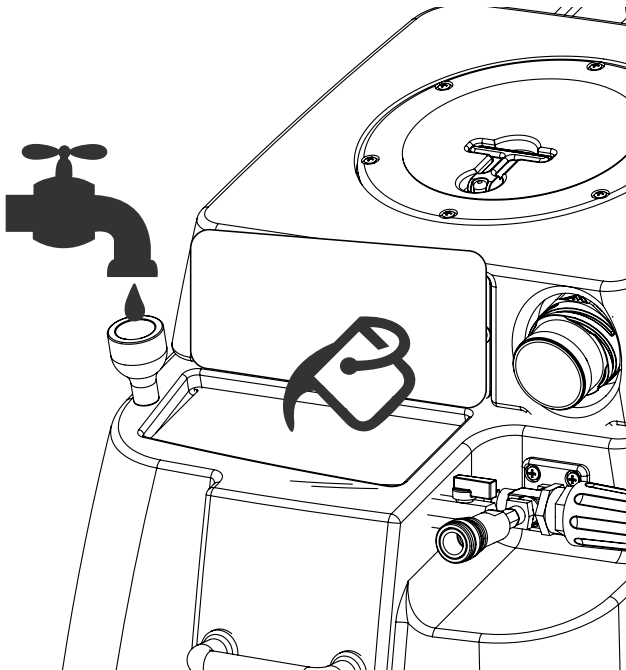
Attach one end of a solution hose to a wand or other tool, the other end to the Speedster's® front quick disconnect. Attach one end of a vacuum hose to the tool, the other end to the Speedster's® Cuff-Lynx™ vacuum hose port.

## 1005DX SPEEDSTER® SWITCHES



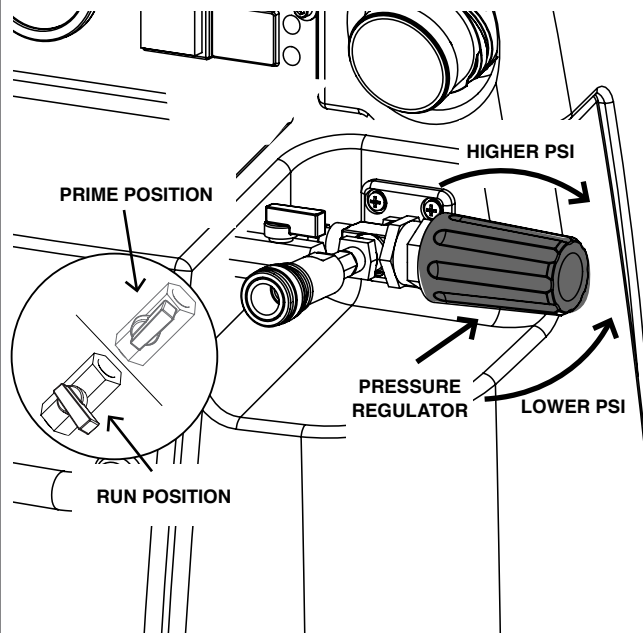
“On” switches are located on the plate in front of the machine. To use vacuums, turn on Vac 1 and Vac 2 switches. To use pump, turn on Pump switch. Bottom right switch has no use.

## 1005DX SPEEDSTER® FILL SOLUTION TANK



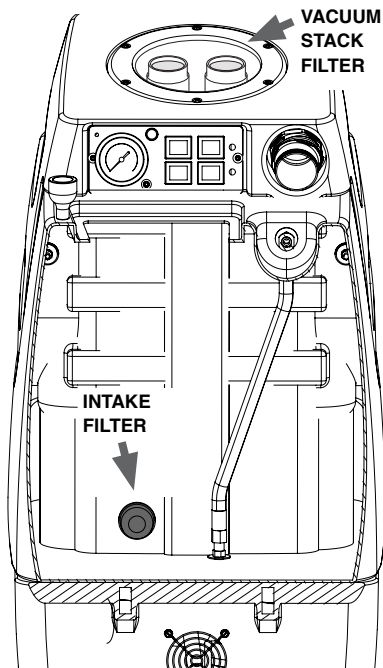
Lift lid and manually fill the solution tank or use the easy faucet fill.

## 1005DX SPEEDSTER® PRIME VALVE & PRESSURE REGULATOR



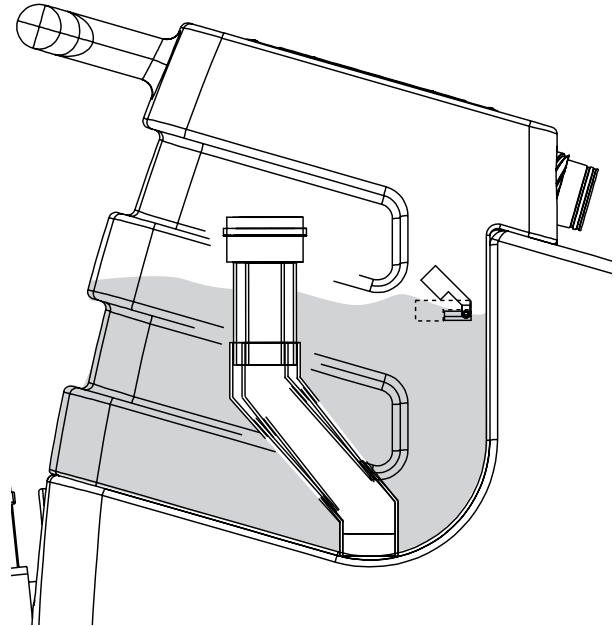
Prime the pump by turning the valve to the Prime position (as shown above) for 30 seconds, then turn right to the Run position. Turn the Pressure Regulator to the left to decrease water pressure. Turn the Pressure Regulator to the right to increase water pressure.

## 1005DX SPEEDSTER® FILTER MAINTENANCE



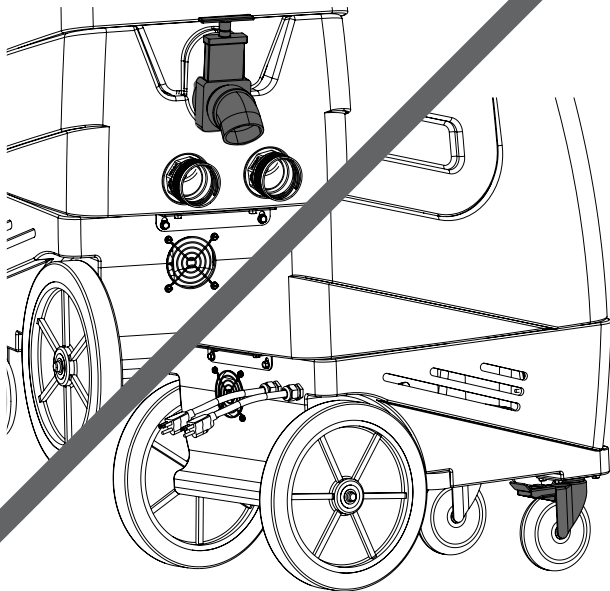
Check and clean the vacuum stack filters and solution tank filter daily by twisting off, rinsing with clean water and replacing.

## 1005DX SPEEDSTER® FLOAT SWITCH



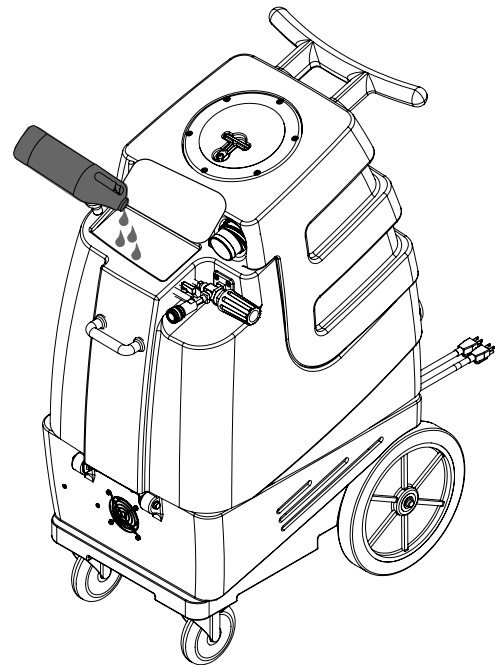
The Speedster® is equipped with an electronic float switch inside the recovery tank. The recovery float switch is activated by rising water to prevent suction into the vacuum stacks damaging the motors.

## 1005DX SPEEDSTER® DUMP VALVE & LOCKING CASTERS



Above, empty the recovery tank by attaching the 45° drain elbow to the drain spout in back. Lift up the dump valve and empty the tank. Below, locking casters help keep the machine remain stationary during use.

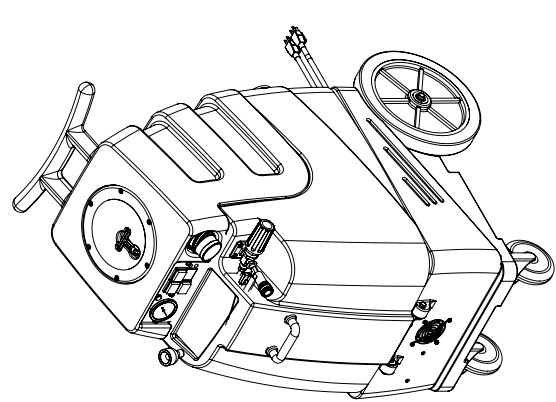
## MYTEE® SYSTEM MAINTAINER



Weekly flushing of the solution system with Mytee® System Maintainer helps keep lines clean and prevents chemical build-up, improving pump life, performance and pressure.

# 1005DX SPEEDSTER PARTS & PRICING

ITEM NO.	PART NO.	DESCRIPTION	QTY.	MSRP
1	C317	fan, cooling, 115V	1	\$21.49 ea
2	H296	guard, cooling fan, wire	3	\$2.99 ea
3	H343	screw, #10 x 5/8" hex head zinc	12	\$0.99 ea
4	H273	nut, kep. #10-32 zinc	4	\$0.99 ea
5	E370	controller, water level, dual pump or vac	1	\$94.99 ea
6	H186	screw, 10-32 x 3/4, phill flat full thread	2	\$0.99 ea
7	H378	bracket, front hinge, sp/fb	2	\$8.99 ea
8	H210	washer, 1/4" flat, s/s	26	\$0.99 ea
9	H213	washer, 1/4" lock, s/s	10	\$0.99 ea
10	H201	bolt, 1/4-20 x 1/2", hex head, zinc	2	\$0.99 ea
11	H216	nut, lock, 1/4-20, nylon insert, s/s	14	\$0.99 ea
12	H316	bolt, 1/4x1-1/2", hex head zinc	2	\$0.99 ea
13	H342	bolt, 1/4-20 x 1" hex head, s/s	8	\$0.99 ea
14	H666	caster, 5", black hub & gray tread	2	\$33.19 ea
15	P731	base, speedster	1	\$141.99 ea
16	H254	washer, axle, cut 1/2" id	4	\$0.99 ea
17	H371	axle, 18.25" x .50" dia	1	\$9.99 ea
18	H251	wheel, 12"	2	\$41.99 ea
19	H219	cap, axle, 1/2"	2	\$0.99 ea
20	E550	power cord, pigtail, 30', 12/3, black	2	\$11.49 ea
21	H220	fitting, strain relief, cord	2	\$3.19 ea
22	H221	nut, lock, 1/2" steel	2	\$1.99 ea
23	H912	bracket, rear, fb/spy	1	\$9.99 ea
24	H307	washer, star, 1/4" steel zinc	2	\$0.99 ea
25	H720	bolt, 1/4-20 x 1/2" serrated hex flange, zinc	8	\$0.99 ea
26	H202	bolt, 1/4x20x3/4" hex head	4	\$0.99 ea
27	B246	plug, brass, 3/8" mpt, hex	1	\$1.99 ea
28	B186	elbow, brass, 90 deg, 3/8" mpt x 3/8" fmp	2	\$8.99 ea
29	B105	bushing, brass, 3/8" mpt x 1/4"	1	\$3.19 ea
30	B260A	qd, brass, 1/4" mqd x fpt	2	\$8.99 ea
31	B259A	qd, brass, 1/4" fqd x mpt	2	\$15.99 ea
32	B644	adapter, brass, 1/2" barb x 1/4" mpt	1	\$2.49 ea
33	PH615-37	sol hose, 1/2" iuri, 100 psi	1	\$8.99 ft
34	H347	clamp, hose, 5/16-29/32	4	\$1.99 ea
35	B160	adapter, brass, 1/2" barb x 3/8" fsw, ball end	1	\$3.49 ea
36	B652	elbow, brass, 90 deg, 3/8" mpt x 1/4" mpt	1	\$8.49 ea
37	B107	nipple, brass, 1/4" m, hex	4	\$3.19 ea
38	B643	adapter, brass, 3/8" fmp x 1/4" mmpt	1	\$4.99 ea
39	B113	tee, brass, 1/4" fpt	1	\$6.99 ea
40	AH184	hose, pulse BLK 49"(OAL), 1/4" fswl x 1/4" fswl	1	\$19.99 ea
41	C313A	pump, CAT, 50-500 PSI, 120/240v	1	\$599.99 ea
42	H768	bolt, 1/4-20 x 3/4" serrated hex flange, zinc	2	\$0.99 ea
43	H211	washer, 1/4" id x 1" od, flat, s/s	6	\$0.99 ea
44	G052	washer, buna 1-1/8" od x 3/16" id	6	\$1.99 ea
45	H485	handle, breeze and dx	1	\$6.99 ea
46	H178	faucet fill	1	\$10.99 ea
47	G018	cover, sol tank (sp)	1	\$12.99 ea
48	P732	sol tank, speedster	1	\$0.99 ea
49	PH628-24	vac hose, 2" wire reinforced, gray	2	\$8.99/ft
50	H217	clamp, hose, 2-1/4 dia	4	\$1.49 ea
51	H194	coupler, 2" dia x 2.5" length, s/s	2	\$10.00 ea
52	H124	Cuff-Lynx, 2" mpt x 2" female cuff	2	\$3.99 ea
53	PH634-20	sol hose, 1/4", 300 PSI	1	\$6.49 ft
54	B109	adapter, brass, 1/4" barb x 1/4" mpt	2	\$1.99 ea
55	H256	screw, 10-32 x 3/4" phill pan head, zinc	4	\$0.99 ea
56	H484	plate, mounting, OD	1	\$4.99 ea
57	AH203	hose, pulse BLK 49"(OAL), 1/4" fswl x 1/4" fswl	1	\$19.99
58	C313C	regulator, 4.50 psi, silver spring	1	\$86.99 ea
59	B135	tee, brass, 1/4" mpt	1	\$5.49 ea
60	B102	qd, brass, 1/4" f	1	\$17.99 ea
61	B656	ball valve, 1/4"	1	\$13.49 ea
62	PH634-36	sol hose, 1/4", 300 PSI	1	\$6.49 ft
63	B216	nipple, brass, 3/8" x close	1	\$1.99 ea
64	H299	washer, 11/16" id x 1-1/2" od x .075, s/s	4	\$0.99 ea
65	B210	bushing, brass, 1/2" mpt x 3/8" fpt, hex	1	\$2.49 ea
66	B119A	filter, strainer, 1/2"	1	\$6.49 ea
67	AH120	sol hose, 1/4" x 24 1/2", (OAL), f x fsw, 3000psi	1	\$35.99 ea
68	H422	plug, dome 3/8", black	2	\$1.00 ea
69	P967A	plug	1	\$1.99 ea
70	E515	switch, rocker, 2 position	3	\$13.99 ea
71	H389	screw, 10-32 x 1/2" SHCS, alloy	4	\$0.99 ea
72	H612	Washer, #8, flat regular	3	\$0.99 ea
73	H308D	gauge, pressure, 2000 PSI	1	\$38.99 ea
74	E512B	light, indicator, 125v (amber)	1	\$9.99 ea
75	B156	nut, 1/4" npt	1	\$1.99 ea
76	H337	plate, switch, 1003DX, 1005DX	1	\$8.99 ea
77	H212	flat washer, 9/16" ID x 1 1/16" OD, AN960-C916	2	\$0.99 ea
78	B207	elbow, brass, 90 deg, 1/4" fpt x 1/4" fpt	1	\$5.99 ea
79	E373	level switch, vacuum shut-off, rear threads	1	\$13.99 ea
80	B103	elbow, brass, 90 deg, 1/4" mpt x 1/4" fpt	1	\$4.49 ea
81	P733	vac tank, speedster	1	\$190.99 ea
82	G091	gasket, 7", vac lid	1	\$11.99 ea
83	G090	lid, vac tank, clear, 7"	1	\$36.99 ea
84	H304	screw, #8 x 5/8 phill oval, s/s	6	\$0.99 ea
85	PH633-1	pipe, pvc, 1-1/2"	2	\$4.99/ft
86	G022	filter, foam, 2-3/8" x 1"	2	\$2.99 ea
87	G097	screen, mesh filter, 1-1/2" dia	2	\$4.99 ea
88	P502	adapter, 1.5" pvc, flslp x flslp	2	\$5.00 ea
89	PH633-06	PIPE, 1-1/2" x 6" PVC	2	\$4.99 ft
90	P503	adapter, 1.5" pvc, 45 deg, flslp x flslp	4	\$3.29 ea
91	PH633-03	pipe, pvc, 1-1/2"	2	\$4.99/ft
92	PH633-4	nut, lock, 1-1/2", steel	2	\$2.99 ea
93	P520	adapter, pvc, 1-1/2" mpt x 1-1/2" fms	2	\$2.99 ea
94	H314	nut, lock, 1-1/2", steel	2	\$1.99 ea
95	H225	valve, drain, 1-1/2"	1	\$20.99 ea
96	H226	spout, drain, 45 degree	1	\$3.19 ea
97	A926	elbow, inlet assembly, 2"	1	\$15.99 ea
98	G083	gasket, 2" inlet	1	\$2.49 ea
99	H135	Cuff-Lynx, 2" m cuff x 2" mpt	1	\$3.99 ea
100	H390A	bracket, "L"	2	\$6.99 ea
101	G004	gasket, vacuum motor	2	\$8.99 ea
102	H096	bolt, hex, 1/4-20 x 4", zinc Finish	6	\$0.99 ea
103	C302A	vac motor, 3-stage hp, 1.20V, 145"	2	\$148.99 ea
104	H503	vac support, 3 stage, 3.25", no thrds	6	\$3.99 ea
105	H203	bolt, 1/4-20 x 1-1/4"	2	\$0.99 ea
106	H215	nut, hex, 1/4-20 s/s	2	\$0.99 ea
107	E564	controller, circuit light	1	\$62.99 ea



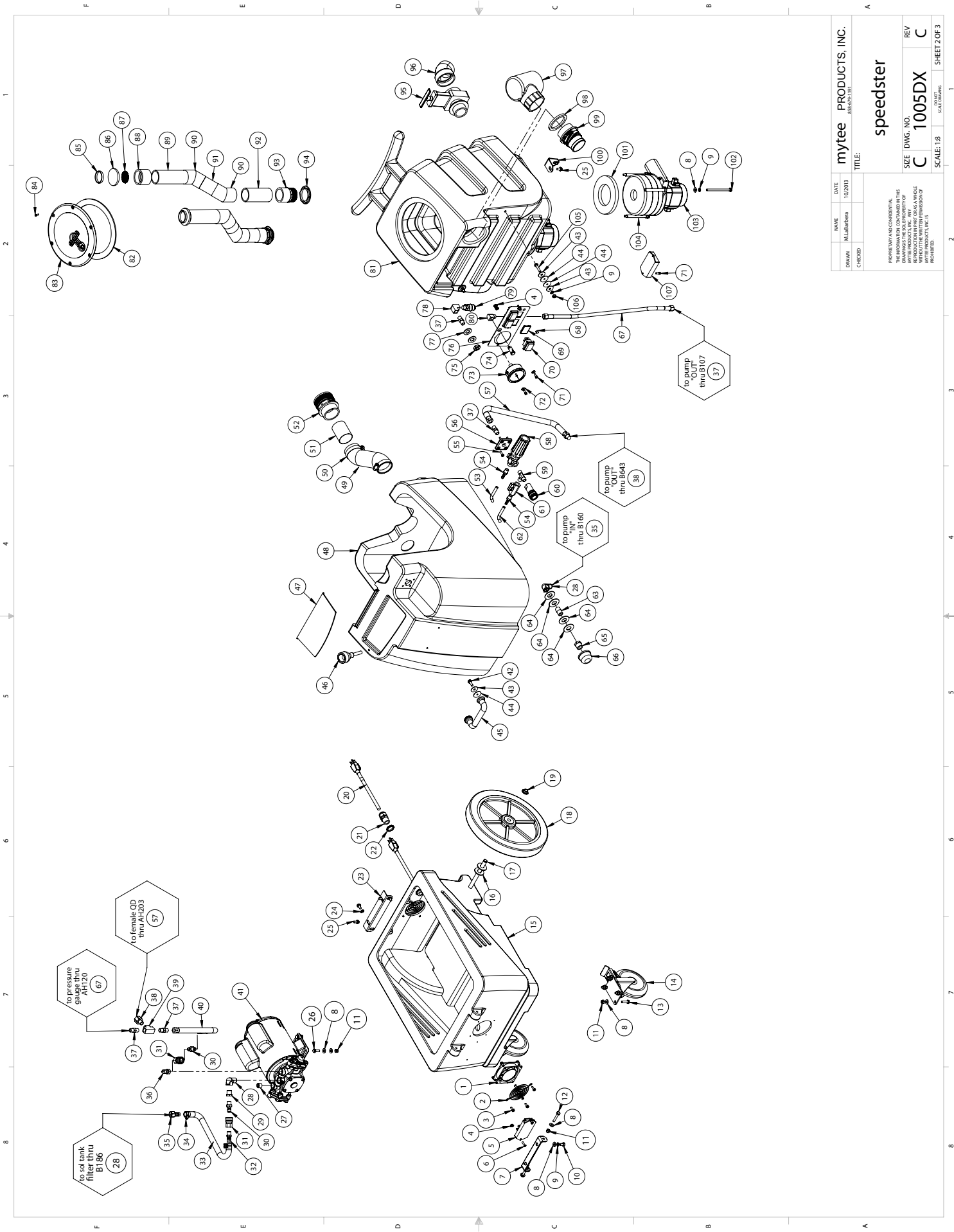
ITEMS NOT SHOWN

PART NO.	DESCRIPTION	QTY.	MSRP
G008	piglet fillet	1	\$6.29 pak
G085	gasket, strip, 3/4" x 36" x 1/8"	1	\$4.99 ea
H375	hanger, wire formed, hose	1	\$10.99 ea
H230	screw, 10-32 x 1/2" phill pan head, s/s	2	\$0.99 ea
H141	Cuff-Lynx, 2" to 1.5" reducer	1	\$3.99 ea
E530	power cord, ext 50', 12/3 black	2	\$74.99 ea
H110	Cuff-Lynx, 2" hose x 2" fem swivel Cuff-Lynx	1	\$3.99 ea
AD127	stop sign, register your product	1	
ADM-SPEEDSTERS	manual, speedsters	1	

mytee PRODUCTS, INC.  
466575101  
**speedster**  
 SIZE DWG. NO. **C 1005DX** REV **C**  
 SCALE: 1:8  
 SHEET 1 OF 3



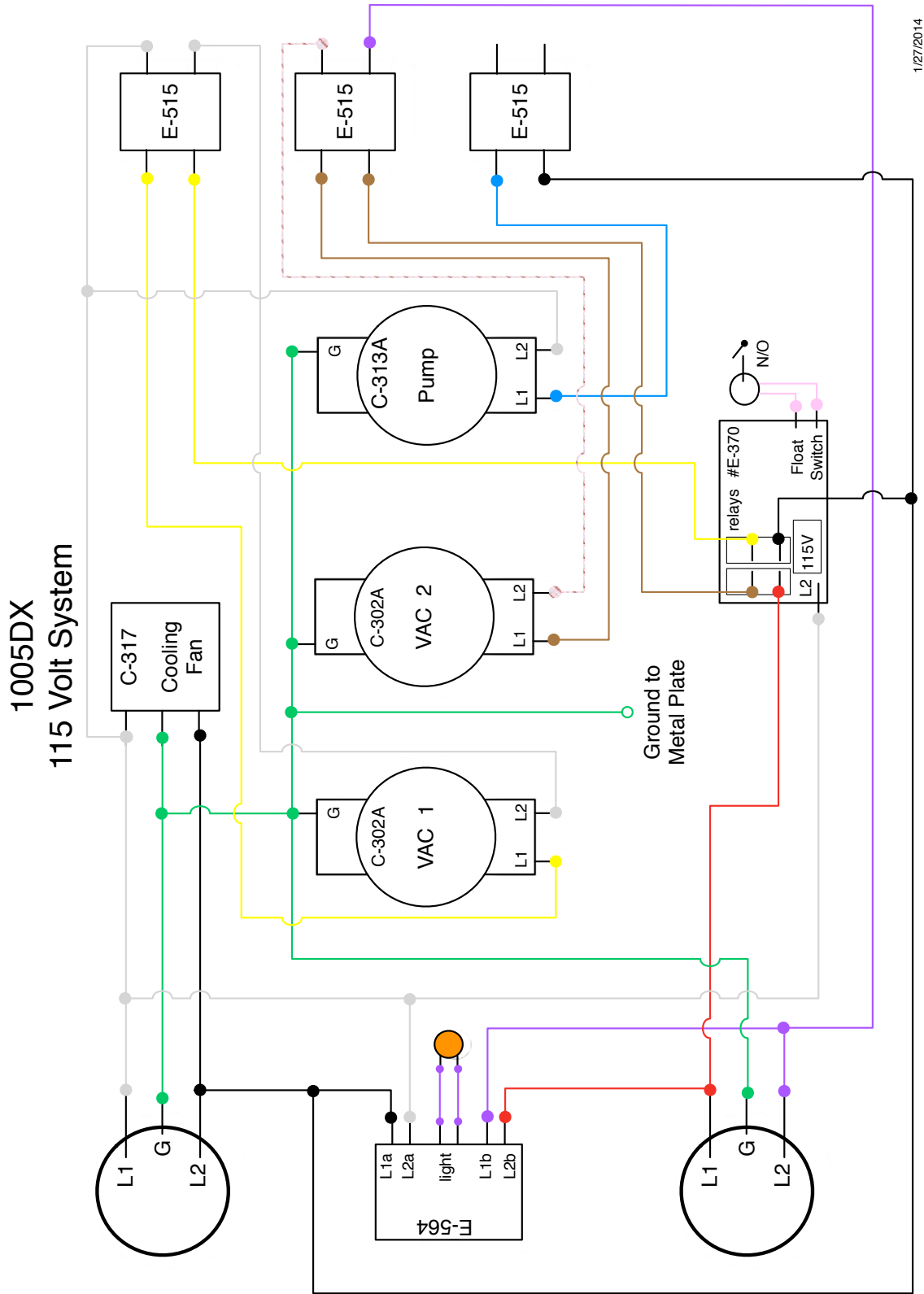
# 1005DX SPEEDSTER PARTS & PRICING



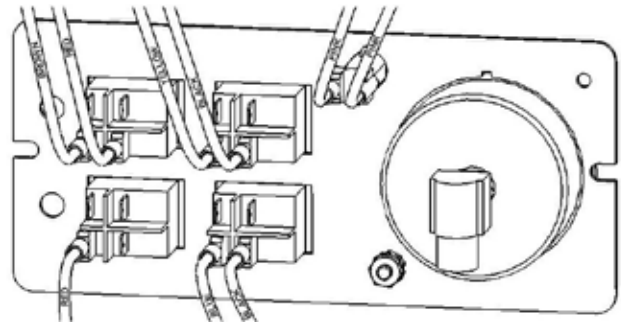
DATE	10/2013
NAME	M. LaBarbera
mytee PRODUCTS, INC.	888.693.1391
TITLE: speedster	
SIZE	DWG. NO. C 1005DX
REV	C
SCALE	1:8
SHEET 2 OF 3	

PROPERTY AND CONFIDENTIAL INFORMATION OF THE DRAWING IS THE SOLE PROPERTY OF MYTEE PRODUCTS, INC. ANY REPRODUCTION OR DISSEMINATION OF THIS DRAWING WITHOUT THE WRITTEN PERMISSION OF MYTEE PRODUCTS, INC. IS PROHIBITED.

# 1005DX SPEEDSTER WIRING SCHEMATIC



1/27/2014



## Dear Customer:

Congratulations on the purchase of your new Speedster® Extractor. As you are already aware, the scene of the equipment world is becoming more high tech, and we at Mytee Products Inc. strive to keep you on the cutting edge with superior quality and technology.

Keep in mind that the Speedster® Extractor is a machine, so neglect or abuse will cause unnecessary damage and void the warranty. However with simple maintenance the Speedster® will give quality performance for many years to come.

If warranty questions arise, please consult user manual or get in touch with your distributor. If you have questions about maintenance, replacing parts or ordering parts, please call an authorized Mytee Products Inc. Service Center. To see an updated list, visit our website at [www.mytee.com](http://www.mytee.com)

Before you begin using, please read your manual thoroughly.

Sincerely,  
Mytee Customer Care Dept.

## Grounding Instructions

This machine must be grounded. If it should malfunction or breakdown, grounding provides a path of least resistance for electrical shock. This machine is equipped with a cord having an equipment-grounding conductor and grounding plug. The plug must be plugged into an appropriate outlet that is properly installed in accordance with all local code and ordinances. Do not remove ground pin; if missing, replace plug before use.



### DANGER

Improper connection of the equipment-grounding conductor can result in a risk of electric shock. Check with a qualified electrician or service person if you are in doubt as to whether the outlet is properly grounded. Do not modify the plug provided with the machine. If it will not fit the outlet, have a proper outlet installed by a qualified electrician.

This appliance is for use on a nominal 120-volt circuit, and has a grounding plug that looks like the plug illustrated in Figure 1 below. A temporary adapter illustrated in Figures 2 and 3 may be used—to connect this plug to a 2-pole receptacle as shown in Figure 2 if a properly grounded outlet is not available. The temporary adapter should be used only until a properly grounded outlet (Figure 1) can be installed by a qualified electrician. The green colored rigid ear, tab or the like extending from the adapter must be connected to a permanent ground such as a properly grounded outlet box cover. Whenever the adapter is used, it must be held in place by a metal screw. Grounding adapters are not approved for use in Canada.

Replace the plug if the grounding pin is damaged or broken.

The Green (or GreenYellow) wire in the cord is the grounding wire. When replacing a plug, this wire must be attached to the grounding pin only.

DO NOT use extension cords.

### Please Note for America use only

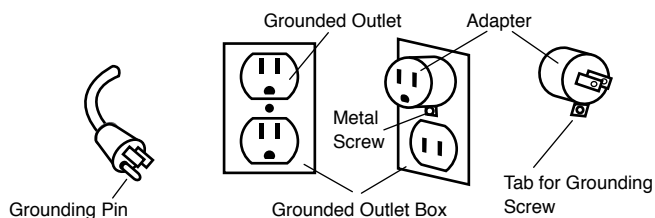


Figure 1

Figure 2

Figure 3

## Parts and Service

Repairs, when required, should be performed by Mytee service personnel or Mytee authorized Service Center using Mytee original replacement parts and accessories. Call Mytee for repair parts or service. Please

specify the Model and Serial Number when discussing your machine.

## Name Plate

The Model and Serial Number of your machine are shown on the name plate located on the inside of the machine. This information is needed when ordering repair parts for the machine. Use the space provided on the front cover to note the Model and Serial Number of your machine for future reference.

## Unpacking the Machine

When the machine is delivered, carefully inspect the shipping carton and the machine for damage. If damage is evident, save the shipping carton so that it can be inspected by the carrier that delivered it. Contact the carrier immediately to file a freight damage claim.

## Caution and Warnings

### Symbols

Mytee uses the symbols below to signal potentially dangerous conditions. Always read this information carefully and take the necessary steps to protect personnel and property.



### DANGER

Is used to warn of immediate hazards that will cause severe personal injury or death.



### WARNING

Is used to call attention to a situation that could cause severe personal injury.



### CAUTION

Is used to call attention to a situation that could cause minor personal injury or damage to the machine or other property. When using an electrical appliance, basic precautions should always be followed, including the following: Read all instructions before using this machine. This product is intended for commercial use only.



### WARNING

To reduce the risk of fire, electrical shock, or injury:

1. Read all instructions before using equipment.
2. Use only as described in this manual. Use only manufacturer's recommended attachments.
3. Always unplug power cord from electrical outlet before attempting any adjustments or repairs.
4. Do not unplug by pulling on cord. To unplug, grasp the plug, not the cord.
5. Do not pull or carry by cord. Do not close a door on cord or pull cord around sharp edges or corners.
6. Do not run appliance over cord. Keep cord away from heated surfaces.
7. Do not use with damaged cord or plug. If cord is damaged, repair immediately.
8. Do not use outdoors or on wet surfaces and or standing water.
9. Always unplug or disconnect the appliance from power supply when not in use.
10. Do not allow to be used as a toy. Close attention is necessary when used by or near children.
11. Do not use in areas where flammable or combustible material may be present.
12. Do not leave the unit exposed to harsh weather elements. Temperatures below freezing may damage components and void warranty.
13. Use only the appropriate handles to move and lift unit. Do not use any other parts of this machine for this purpose.
14. Keep hair, loose clothing, fingers, and all parts of the body away from all openings and moving parts.
15. Use extra care when using on stairs.
16. To reduce the risk of fire or electric shock, do not use this machine with a solid-state speed control device.

# GENERAL INFORMATION

17. The voltage and frequency indicated on the name plate must correspond to the wall receptacle supply voltage.
18. When cleaning and servicing the machine, local or national regulations may apply to the safe disposal of liquids which may contain: chemicals, grease, oil, acid, alkalines, or other dangerous liquids.
19. Do not leave operating unattended.

## Preparation

1. Remove furniture and other items from the area you are going to clean.
2. Vacuum carpet and upholstery, and remove debris.
3. Protect cabinets, walls and painted surfaces with drop cloths or plastic.
4. Inspect power cords for damages.

## Operating Instructions

1. Fill the solution tank.
2. Attach one end of a solution hose to a wand or other tool, the other end to the Speedster's® front quick disconnect.
3. Attach one end of a vacuum hose to the tool, the other end to the Speedster's® Cuff-Lynx™ vacuum hose port.
4. Plug in power cords.

• **1000DX-200 models** – Plug single cord into single, 20A grounded wall outlet.

• **1001DX-200 models** – Using two separate circuits/breakers, plug the left power cord into 20A grounded wall outlet to turn on Vac 2 and Heater 2. Plug the right power cord into separate 20A grounded wall outlet to turn on Vac 1, Heater 1 and Pump.

• **1003DX models** – Using two separate circuits/breakers, plug the left power cord into 20A grounded wall outlet to turn on Vac 2 and Heater 2. Plug the right power cord into separate 20A grounded wall outlet to turn on Vac 1, Heater 1 and Pump.

• **1005DX models** – Using two separate circuits/breakers, plug the left power cord into 20A grounded wall outlet to turn on Vac 2. Plug the right power cord into separate 20A grounded wall outlet to turn on Vac 1 and Pump.

The amber light indicator on the switch plate will illuminate brightly when cords are plugged into two separate circuits. Do not use extension cords longer than 50 feet.

5. Turn on switches.
- 1000DX-200, 1005DX models – Turn on Vac 1, Vac 2 and Pump switches.

• 1001DX-200 and 1003DX – Turn on Vac 1, Vac 2 and Pump switches. Turn on Heater switch if heat is being used. Wait several minutes for water to heat. Heater switch has three positions: Off (middle); 1,000 watts using one heater (left); and 2,000 watts using two heaters (right). Red lights on panel display indicate watts selected: one light = 1,000 watts; two lights = 2,000 watts; no lights = heaters are off.

6. 1003DX and 1005DX models – Prime Valve and Pressure Regulator are located on the lower front of the extractor. To prime the pump, turn the valve to the Prime position for 30 seconds, then turn horizontally to the Run position. Turn the Pressure Regulator to the left to decrease the water pressure. Turn to the right to increase water pressure. Level will be visible on the pressure gauge. Monitor while adjusting, using Pressure Gauge on Switch Panel.

7. Begin cleaning. Make two dry passes to every wet pass. Work away from cords to avoid damage. To clean heavily soiled areas, repeat cleaning from a different direction.

8. Use a foam control solution in the recovery tank to prevent motor damage and check for foam build-up in recovery and solution tanks.

9. Empty the recovery tank as needed when the internal ball float automatically shuts off the vacuum. Attach the 45° drain elbow to the drain spout in back. Lift up the dump valve and empty tank.

10. To relieve water pressure from the solution hose before disconnecting it, squeeze the tool's trigger five seconds after turning the power switches off.

11. Once machine is off, unplug power cords. Remove solution and vacuum hoses. Empty the recovery tank by attaching the 45° drain elbow to the drain spout in back. Lift up the dump valve and empty tank.

12. 1003DX and 1005DX models – Water remaining in the solution tank can be emptied by turning the Prime Valve to the right to move water into the recovery tank. Empty recovery tank.

**Please note: Your pump features a pressure switch, to protect vital components. A minimum spray jet size of 02 needed for use with this pump. Using a jet size smaller than this can cause back-pressure to the pump, leading to an over-heat condition. Make sure that your tool has a jet size of 02 or larger prior to use.**

## After Use

1. Before storing machine, drain, rinse and dry tanks and vacuum hose of water and solution.
2. Store in a dry area in the upright position.
3. Open recover tank cover to promote air circulation.
4. Store indoors in a dry area. If storing in freezing temperatures, make sure the machine and solution system are completely drained and dry.

## Maintenance Schedule

Latches are located in back to open tank for internal maintenance. To keep machine in good working condition, follow machine's daily and weekly maintenance procedures. Check valves and relief valves should be replaced annually.

Maintenance item	Daily	Once a week
Clean and inspect tanks.	x	
Clean and inspect hoses.	x	
Check and clean internal filters by twisting off, rinsing with clean water and replacing.	x	
Check power supply cable.	x	
Clean machine with all-purpose cleaner and cloth.	x	
Check spray nozzles.	x	
Flush solution system with Mytee® System Maintainer.		x
Remove and float shut-off screen from tank and clean. Simply pull off.		x
Inspect vacuum hoses for holes and loose cuffs.		x
Inspect spray pattern for clogging. If clogged, remove spray tips and soak them in a recommended liquid neutralizer for up to six hours. To remove spray tip, twist spray tip body counter-clockwise.		x
Lubricate wheels with water resistant oil.		x
Inspect machine for water leaks and loose hardware.		x

## Trouble Shooting

### There is no power.

1. Plug machine in proper outlet.
2. If using two cords, make sure each is plugged into a separate circuit.
3. Check circuit breaker. Reset circuit breaker, other items should not run on the same circuit as the machine. Outlet must be a 20-amp circuit.

### Pump does not work properly

1. Snap quick disconnects firmly together.
2. Check solution tank; may be empty.
3. Jets clogged, remove jet and flush clean.
4. Filters clogged, remove filters and rinse clean with water.
5. Heater is blocked; flush out with Mytee's® System Maintainer.
6. If brass check valve is stuck, replace valve.
7. Check pump wire. May need to reconnect wire.
8. Switch plate may need to be replaced.
9. If pump motor brushes are worn, replace pump.

**\*A minimum spray jet size of 02 needed for use with this pump.**

### 1001DX-200 or 1003DX heater does not work properly

1. If sensor mounted on the heater has popped, reset sensor by pushing in button.
2. Heating element may need to be replaced.

### Vacuum motor does not work properly

1. Check that hose is tightly connected.
2. Close drain hose valve completely.
3. Secure the vacuum tank tightly.

4. If electronic switch is shut off, empty vacuum tank of all wastewater.
5. If water is coming out of the vacuum motor, use a low foaming detergent.
6. Clean upholstery tool or floor wand jets.

## FAQs

Q: How much do the Speedster® Series extractors weigh and what are the dimensions?

A: All Speedsters

Machine Dimensions: 28" x 18 ¼" x 40"

Shipping Dimensions: 29 ½" x 19 ¼" x 46 ½"

1000DX-200 – Machine Weight: 83 lbs.

Shipping Weight: 104 lbs.

1001DX-200 – Machine Weight: 94 lbs.

Shipping Weight: 124 lbs.

1003DX – Machine Weight: 122 lbs.

Shipping Weight: 150 lbs.

1005DX – Machine Weight: 113 lbs.

Shipping Weight: 140 lbs.

Q: What comes standard with Speedsters™ extractors?

A: Hose hanger with four screws, two Cuff-Lynx™ Model Numbers: H141 Reducer and H110 Coupler Swivel, and 45° drain elbow.

Q: Does Mytee® recommend tools for this machine?

A: All upholstery tools and wands can be used with the Speedster® series.

Q: Is there anything I can do to increase the expected life of my machine?

A: Running the vacuum motors with the tank empty and lid off will allow excess moisture in the vacs to dry off. You should also run Mytee's® System Maintainer through the system to keep the hoses, pump, and heater clean and free of debris..

## Warranty

### MYTEE LIFETIME LIMITED WARRANTY POLICY

Mytee Products, Inc. endeavors to provide high quality products and product support to its customers and therefore backs up all of its new products purchased from Mytee Products Inc. ("Mytee") or any authorized Mytee distributor/service center with this lifetime limited warranty. This limited warranty begins on the date of the customer's purchase and is valid and available to the original purchaser with proof of purchase, and is not transferable. Mytee's products are for commercial use only and are not intended for personal, family or household uses.

**HOUSING LIMITED LIFETIME WARRANTY:** Mytee warrants for life that its rotationally-molded housings will be free from manufacturing defects. This warranty covers the cost of replacement or repair only and does not cover shipping or labor costs.

**WEAR PARTS 90-DAY LIMITED WARRANTY:** Mytee will replace all wear parts for 90 days from the date of original purchase. "Wear parts" are items which wear out as a result of usage or the passage of time and are consumed despite attempts to maintain them, such as gaskets, wheels, brass, cords, wires, electrical terminals, hoses, switches, thermostats, plastisol parts, filters, bearings, brushes, solenoids, o-rings, bulbs, heating elements, castors, or other parts deemed wear items in Mytee's sole discretion. This warranty covers the cost of replacement only and does not cover shipping or labor costs.

HOWEVER, OTHER THAN SET FORTH HEREIN, MYTEE GIVES NO WARRANTY, EXPRESS OR IMPLIED, AS TO DESCRIPTION, QUALITY, MERCHANTABILITY, FITNESS FOR ANY PARTICULAR PURPOSE, PRODUCTIVENESS, INFRINGEMENT, OR OTHER MATTER, OF ANY GOODS WHICH MYTEE SHALL SUPPLY. THERE ARE NO WARRANTIES WHICH EXTEND BEYOND THE DESCRIPTION ON THE FACE HEREOF. MYTEE SHALL IN NO WAY BE RESPONSIBLE FOR THE

PROPER USE AND APPLICATION OF THE GOODS. MYTEE NEITHER ASSUMES NOR AUTHORIZES ANY OTHER PERSON TO ASSUME FOR MYTEE ANY OTHER LIABILITY IN CONNECTION WITH THE SALE OF MYTEE'S GOODS. THIS LIMITED WARRANTY POLICY MAY BE CHANGED OR WITHDRAWN BY MYTEE AT ANY TIME WITHOUT NOTICE.

**LIMITATION OF DAMAGES:** THE REMEDY OF REPLACEMENT OR REPAIR OF ANY DEFECTIVE GOODS SHALL BE THE EXCLUSIVE REMEDY UNDER ANY WARRANTY MADE BY MYTEE, WHETHER EXPRESS OR IMPLIED. IN NO EVENT SHALL MYTEE BE LIABLE FOR ANY INCIDENTAL OR CONSEQUENTIAL DAMAGES, PROPERTY DAMAGES, OR PERSONAL INJURIES.

All limited warranties are void for, and Mytee does not warrant in any way, any product that evidences misapplication, improper installation, abuse, lack of maintenance, negligence in use or care, abnormal use, alteration of design, modification, use of incompatible or corrosive chemicals, use in a rental service, and/or servicing, installation of parts, or repairs by anyone other than Mytee or a Mytee authorized distributor or service center. Mytee may make changes in products it manufactures and markets at any time; these changes are made without obligation to change, retrofit, or upgrade any product previously sold or manufactured.

Mytee has no obligation to honor the limited warranties set forth herein unless the original purchaser, promptly upon discovering the warranty claim and prior to continuing to use the product, contacts Mytee or a Mytee authorized distributor or service center to describe the claim and to receive and follow instructions for documenting and resolving the claim. In addition, the purchaser must provide the product to which the claim applies to Mytee or a Mytee authorized distributor or service center for a thorough inspection. In addition, the purchaser must provide/return the product intact, unmodified, with all of its original parts.

If any provision or portion of this limited warranty policy is found to be unenforceable, then the remaining provisions and portions shall remain valid and enforceable. If any provision or portion of this limited warranty policy is found to be limited by law, then that provision or portion shall be construed to make it effective within the bounds of law. For example, if there are legal limitations on the duration of warranties, the warranties made herein shall be construed to have the minimum duration required by law, or, if there are legal limitations of exclusion of remedies, the exclusions made herein shall be construed to apply to the fullest extent possible without violating the law.

The validity, construction and performance of this warranty policy shall be governed by the laws of the State of California, without respect to conflicts of laws principles. The exclusive jurisdiction of any legal action arising from or related to this warranty policy shall be in the State of California and no legal action shall be commenced elsewhere.

## Return Material Authorization Procedure

It is the responsibility of any Authorized Service Center (ASC) or Distributor with written authorization to ensure the Customers equipment is repaired as soon as possible. Only Mytee Products Inc. or it's authorized dealers with written authorization, service centers, and agents may make warranty repairs on these products. All others do so at their own risk and expense.

The Distributor must follow Mytee Products, Inc. standard RMA procedure:

1. When a repair falls within the Warranty time period for a piece of equipment, the Distributor will fill out a RMA/Warranty claim form. This form will act as a repair order to replace any defective parts.
2. All defective parts must be returned to Mytee Products, Inc. with the RMA/claim form for evaluation at the customer's expense. This shipping is non-refundable. All warranty claims are subject to an evaluation by Mytee Products, Inc. to determine if warranty will be approved. Any credit for repair and/or parts will only be issued upon evaluation and approval from

Mytee Products, Inc.

3. When Warranty is approved, the Distributor's account will be credited for the replacement part(s). Mytee Products, Inc. will ship the warranted replacement part(s) to the Distributor prepaid. If Warranty is denied the Distributor's account will not be credited for any parts sent for this claim.

## **NOTES**

# NOTES

# NOTES

Parish-Supply.com  
Syracuse, NY 315-433-9031  
www.parish-supply.com

