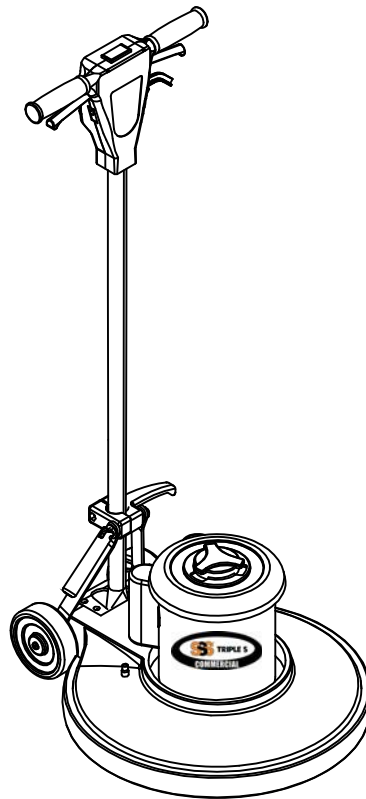




OWNER'S MANUAL

IMPORTANT: READ OWNER'S MANUAL CAREFULLY



MODEL : COUGAR 17 COUGAR 20

FOR YOUR CONVENIENCE, RECORD THE FOLLOWING
IMPORTANT INFORMATION

MODEL: _____

SERIAL NUMBER: _____

DATE PURCHASED: _____

PURCHASED FROM: _____

Parish-Supply.com
Syracuse, NY 315-433-9031
www.parish-supply.com



TABLE OF CONTENTS

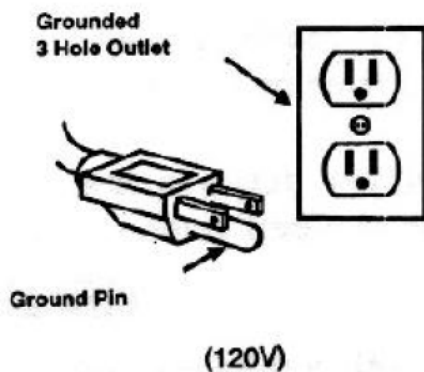
Safety Precautions	3
Machine Operation	4
Machine Maintenance & Storage	4
Handle Release Assembly Instructions	5
Parts List	6-9
Wiring Diagram	10
Warranty Policy	11

Safety Precautions

GROUNDING INSTRUCTIONS

General –This floor – finishing machine shall be grounded while in use to protect the operator from electric shock. The machine is provided with a three –conductor cord and a three contact grounding type attachment plug to fit the proper grounding type receptacle. The green [or green and yellow] conductor in the cord is the grounding wire. Never connect this wire to other than the grounding pin of the attachment plug.

This machine is for use on a nominal 120-Volt circuit and has a grounding plug that resembles the plug illustrated in figure below. Make sure that the machine is connected to an outlet having the same configuration as the plug. No adapter should be used with this machine.



This machine is intended for Commercial use. It is constructed for use in an indoor environment and is not intended for any other use. Use only recommended accessories.

All operators shall read, understand and exercise the following safety precautions:

1] Do not operate machine:

- Unless trained and authorized.
- Unless you have read and understand operators manual.
- In flammable or explosive areas.
- With a damaged cord or plug.
- If not in proper operating condition.
- In outdoor areas.
- In standing water.
- With the use of extension cords.

2] Before operating machine:

- Make sure all safety devices are in place and operate properly.

3] When using machine:

- Do not run machine over cord.
- Do not pull machine by cord or plug.
- Do not pull cord around sharp edges of corners.
- Do not unplug by pulling on the cord.
- Do not stretch cord.
- Do not handle plug with wet hands.
- Keep cord away from heated surfaces.
- Report machine damage or faulty operation immediately.

4] Before leaving or servicing machine:

- Turn off machine.
- Unplug cord from outlet.

5] When servicing machine:

- Unplug cord from outlet.
- Use manufacturer supplied or approved replacements parts.
-

Operation of Floor Machine

- * Read operators manual thoroughly prior to operating or servicing this machine.

GENERAL USE

- 1] Remove any obstructions or other obstacles in the area which is to be cleaned.
- 2] Place the handle in the upright position and tilt machine back until handle rests on the floor.

Be sure the machine is not plugged into an outlet.

- 3] Attach the pad driver or brush to the machine by placing the clutch plate over the gearbox hub and turning the driver / brush 1/4 turn.
- 4] Place machine back into its upright position.
- 5] Plug power cord into grounded outlet.

* Never use an extension cord in conjunction with the standard power cord.

- 6] The handle height may be adjusted by lifting up the compression handle which is located on the right side of the handle tube about 1 foot above floor level. Release the compression handle and adjust handle to safe operating height, then push back down on the compression handle to lock the handle in operating position.
- 7] To start the machine, press the red safety button on the top of the upper switch housing, and then squeeze either of the operating triggers. [the safety button must be depressed prior to squeezing the operating triggers].
- 8] When the machine is in operation, both hands should be placed on the switch housing [upper handle].
- 9] During operation, to make the machine go right, gently raise the handle. To make the machine to left, gently lower the handle.

- 10] To stop the machine at any time, simply release the operating trigger [s] and the machine will stop automatically.

MAINTENANCE

To keep the machine performing well for many years, please follow the following maintenance procedures.

*** Always confirm that the machine is unplugged prior to performing any maintenance or repairs.**

- 1] Unplug machine as soon as you are done using it.
- 2] Tilt machine back and remove pad driver or brush.

***Never store a low speed machine with the pad driver or brush mounted to the machine**

- 3] Clean the outside of the machine with a mild cleaner.
- 4] Check power cord for any damage. If damage is detected, replace the cord immediately.
- 5] Lubricate wheels with a water resistant lubricant once a month.
- 6] Check machine for loose or missing nuts and bolts, and replace as necessary.
- 7] If the machine is used in a dusty environment, you may remove the motor cover and blow the motor clean with compressed air. This will ensure proper ventilation, and allow the motor to run cooler.

STORAGE

- 1] Unplug machine from power source and wrap cord on handle.
- 2] Tilt machine back and remove pad driver or brush.
- 3] Store machine in upright position and in a dry area.

Handle Release Assembly Instructions

STEP#3

- 1) Place cord wrap assembly (2 pieces) in place, and snug them together with 6mm hex bolt. (actual cord wrap faces to the left of the machine when you are standing behind it)
- 2) Assemble hardware in the following order spacer, left handle bracket, nylock nut. (do not over tighten nylock nut, Only tighten it enough to hold handle in place when compression lever is in down position)

STEP#4

- 1) Connect power cords together.
- 2) Connect power cord covers together.

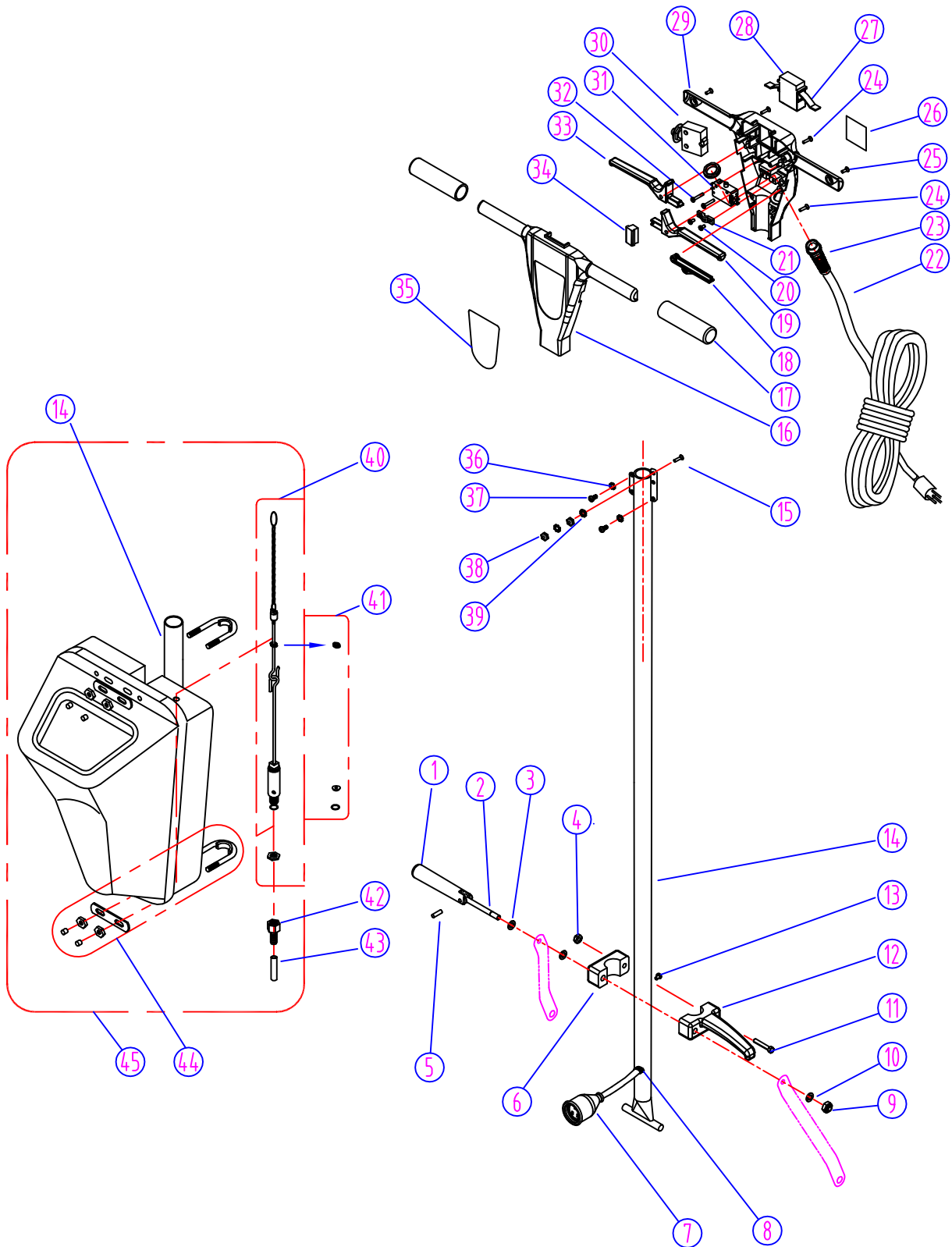
STEP#2

- 1) Remove handle clamp blocks with 5mm hex head
- 2) Place handle assembly into handle clamp blocks
- 3) Re-attach the blocks to the base with 5mm hex head

STEP#1

- 1) Remove nut and spacer from handle bracket assembly.
- 2) Push the two handle brackets forward so they lean against the motor.

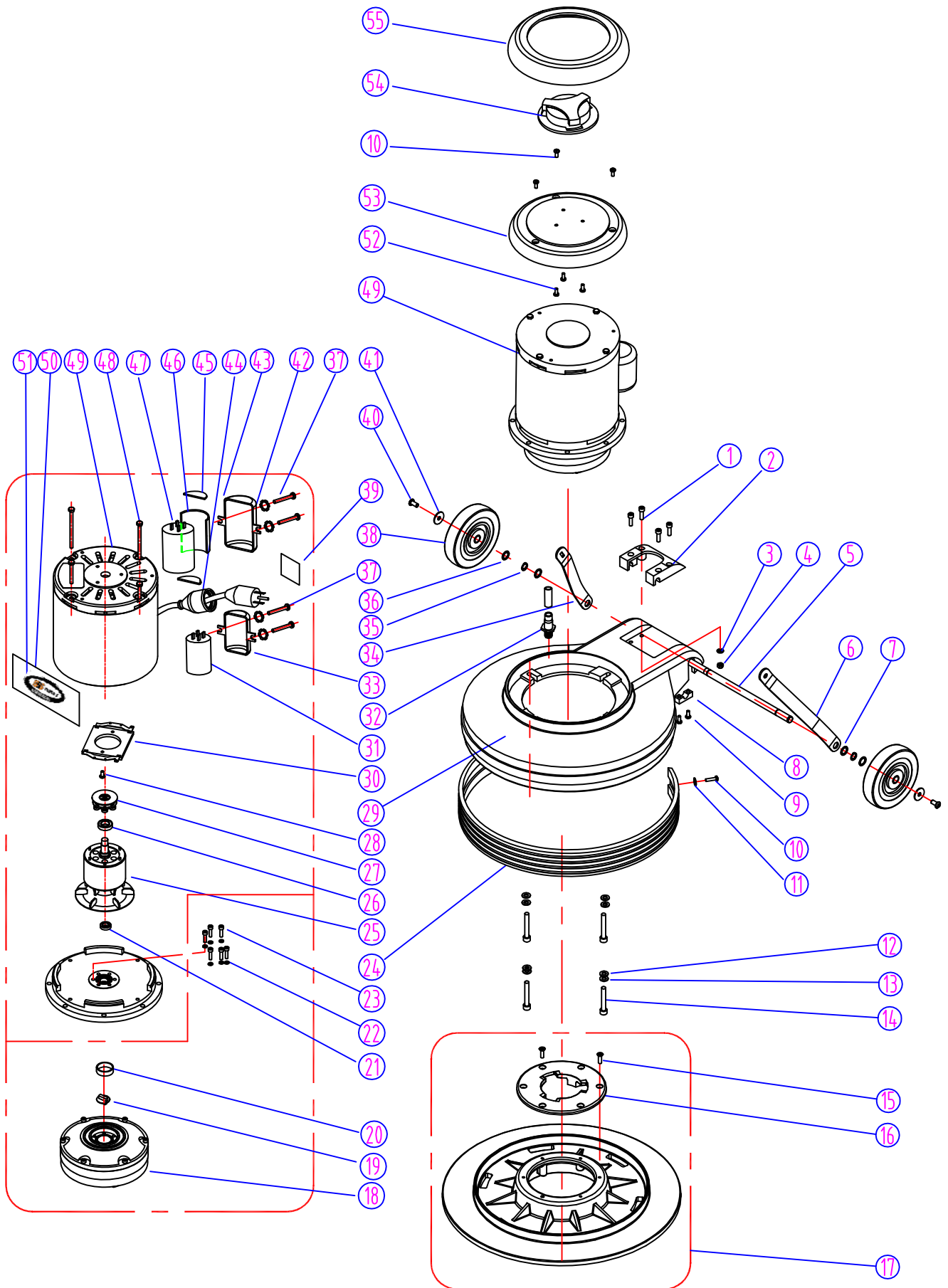
HANDLE ASSEMBLY



HANDLE GROUP

DIA NO	PART NUMBER	DESCRIPTOIN	NO REQ'D
1	VF30016	HANDLE RELEASE	1
2	VF30015	BOLT HANDLE RELEASE	1
3	VF30018	WASHER,PLAIN	2
4	VF13503	NUT, LOCK,M8X5.7	1
5	VF30017	SCREW	1
6	VF30014	COVER,HOOK	1
7	VF45125	CORD,HANDLE	1
	AS41901	PLUG PROTECTOR,SMALL MALE	1
8	VF50120	GROMMET	1
9	VF13504	NUT,LOCK,M10	1
10	VF13517	WASHER,PLAIN	1
11	VF14114	SCREW,M8X55	1
12	VF30013	HOOK	1
13	VF13493	SCREW,M6X10	1
14	AS312206	TUBE	1
15	AS22002	SCREW,M5X16	1
16	AS312209	FRONT COVER	1
17	VF48310TR	HANDLE GRIP	2
18	AS22006S	LEVER,SOLUTION	1
19	AS22004S	LEVER,LEFT,SWITCH	1
20	VV13661	SCREW,M4X12	2
21	VF48309	CLAMP BLOCK	1
22	VF45119U	CORD,POWER SUPPLY	1
23	AS22009	STRAIN RELIEF,CORD	1
24	GT13009	SCREW,M5X30	5
25	GT13008	SCREW,M5X20	2
26	VF41194TR	SERIAL TAG,17"	1
	VF41004TR	SERIAL TAG,20"	1
27	GV40218	SPRING,SAFETY BUTTON	1
28	GV40209	SAFETY BOTTON	1
29	AS312209	REAR COVER	1
30	VF99010C	BREAKER, CIRCUIT, 17A / A-0701HS	1
31	VF44203	SWITCH ASSY	1
32	VF14212	SCREW,M3X25	2
33	AS22005S	LEVER,RIGHT,SWITCH	1
34	AS312203	COVER	1
35	GV40226TR	LABEL,FRONT COVER	1
36	VF13604	TEETH WASHER,M5	4
37	VF14222	SCREW,M5X12	4
38	VV13633	NUT,M5	2
39	AS22003	TEETH WASHER,M5	2
40	VF40200	VALVE ASSY KIT	1
41	VF40001	TANK SEAL KIT	1
42	VF40132	BARB HOSE	1
43	VF40139	HOSE,SOLUTION	1
44	VF40000	TANK MOUNTING KIT	1
45	MF-VF001	SOLUTION TANK	1

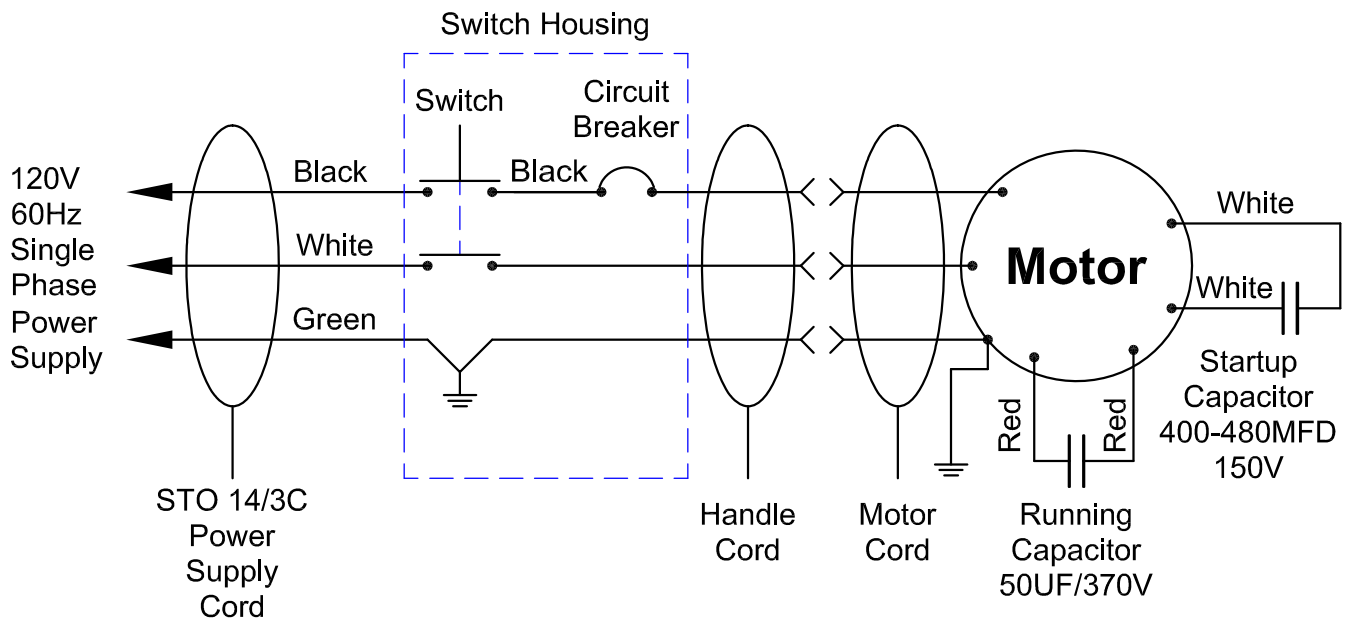
BASE ASSEMBLY



BASE ASSEMBLY

DIA NO	PART NUMBER	DESCRIPTION	NO REQ'D
1	GT13080	SCREW, M6 X 30	4
2	AS312201TP	PLATE,HANDLE GUIDE	1
3	GT13030	WASHER, PLAIN, M6	4
4	VF13502	NUT, LOCK, M6	4
5	VF30026	AXLE	1
6	VF30020	BRACKET, LEFT HANDLE	1
7	VV20274	WASHER, PLAIN, M13	4
8	GV40235	CLAMP BLOCK, AXLE	2
9	VV13621	SCREW, SELF-TAPPING, ST, M5 X 20	4
10	VA13474	SCREW, M5 X 16	5
11	VF13474A	WASHER, PLAIN, M5	4
12	VF13524	WASHER, PLAIN, M8	4
13	VF13519	WASHER, LOCK, M8	4
14	GT13016	SCREW, M8 X 55	4
15	MF-VF002-4A	SCREW, SELF-TAPPING, 1/4"-1"	6
16	MF-VF002-2	CLUTCH PLATE	1
17	MF-VF021	PAD HOLDER, 16"	1
	MF-VF022	PAD HOLDER, 19"	1
18	VF999802B	GEAR BOX	1
19	VF99021	COUPLER	1
20	MT01102	SLEEVE	1
21	VF999821	BEARING,6002 LLU	1
22	VV13601	WASHER, LOCK, M5	6
23	VV13636	SCREW, M5 X 30	6
24	AS312101TR	BUMPER, 17"	1
	AS312204TR	BUMPER, 20"	1
25	YLQ19200	ROTOR WITH FAN ASSY	1
26	YCQ10501	BEARING ,6203 RZ	1
27	YCQ12301	CENTRIFUGAL SWITCH	1
28	VV20509	SCREW, M5 X 10	2
29	VF40101TP	FRAME,17"	1
	VF40100TP	FRAME,20"	1
30	YCQ12302	STATIONARY SWITCH	1
31	VF999854	RUN CAPACITOR, 50uF / 370V	1
32	VF40152	HOSE BARB	1
33	YLQ14601	MOUNTING FRAME (SMALL), CAPACITOR	1
34	VF30019	BRACKET, HANDLE, RIGHT	1
35	VF13520	WASHER, LOCK	2
36	VF50119	WASHER, PLAIN, M12	2
37	VF14214	SCREW, M5 X 8	4
38	VF48202	WHEEL, 5"	2
39	VF40994	LABEL, READ MANUAL	1
40	VF44012	SCREW, M6 X 12.7	2
41	VF13666	WASHER, M6	2
42	VF13604	WASHER, LOCK, EXTERNAL TOOTH	4
43	YCQ10615	MOUNTING FRAME (BIG), CAPACITOR	1
44	AS41902	PLUG PROTECTOR, LARGE FEMALE	1
45	YCQ10414	CLEAR COVER	4
46	YCQ10416	CAPACITOR WRAP	2
47	VF999805	START CAPACITOR (BIG), 400-450UF/150V	1
48	YLQ17507	BOLT ASSEMBLY	4
49	VF999787	MOTOR, 110V, 1.5HP	1
50	VF44003	LABEL, MOTOR	1
51	VF41079TR	LOGO,TRIPLE	1
52	VF14222	SCREW, M5 X 12	3
53	VF30001BD	TOP COVER,MOTOR	1
54	VF30002	CLUTCH PLATE	1
55	VF47023	BUMPER	1

Wiring Diagram





WARRANTY POLICY

The warranty terms outlined below are in lieu of any other warranties, either stated or implied, including any implied warranty of merchantability, fitness for a particular purpose or otherwise. Under no circumstances will seller be liable for any loss, damage, expense or consequential damages arising in connection with the use or inability to use this product.

This warranty does not apply to damage or defect caused by accident, misuse, negligence, abuse, fire or to any Triple S product which has been serviced by anyone other than a Triple S authorized service representative. Housings or parts that have become damaged as a result of improper use of the machine are excluded from this warranty. Refer to owner's manual for proper machine use and maintenance. Parts that are expected to wear from normal use and, therefore are not covered under the parts warranty include, but are not limited to: batteries (pro-rated for one year); bearings; belts; brushes; filters; squeegees; switches; and tires.

This warranty commences on the date of purchase of the product by the original end user from an authorized Triple S distributor, subject to proof of purchase. If proof of purchase date is unavailable, the warranty begins 90 days after the sale of the product to an authorized Triple S distributor.

- Subject to the conditions outlined above, the manufacturer warrants the rotationally-molded polyethylene housings and parts on its machines to be free from defects in materials and workmanship, under normal use and service for twelve (12) years to the original purchaser.
- Under this warranty, the manufacturer guarantees the performance of non-polyethylene parts and components on Triple S machines to be free from defects for up to five (5) years to the original end user. Parts replaced under this warranty are guaranteed for the remainder of the original warranty period.
- Labor charges are covered for five (5) full years from the date of purchase for Triple S products, provided an authorized Triple S service provider is used for repair. No travel coverage is extended for cord electric machines.

Product Exceptions & Exclusions: Battery chargers and all accessories are warranted for one year.

Triple S reserves the right to change the warranty policy without notice.

